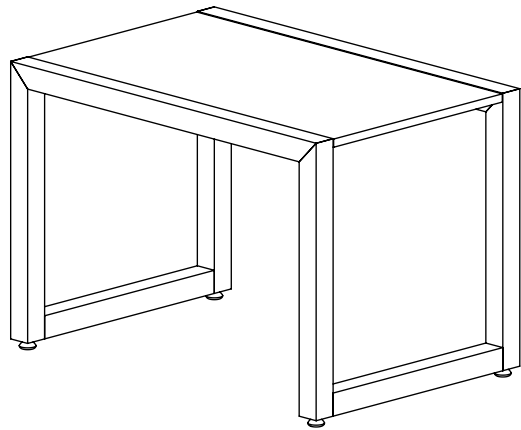


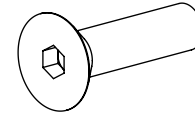
# SMALL ALTA DISPLAY TABLE

Item #T505SC-H

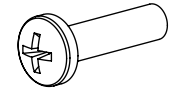


SHOWN WITH TSF361H WOOD TOP

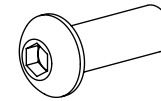
## INCLUDED HARDWARE



**8X**  
COUNTERSUNK SCREWS



**4X**  
WOOD SCREWS



**8X**  
BUTTON HEAD SCREWS

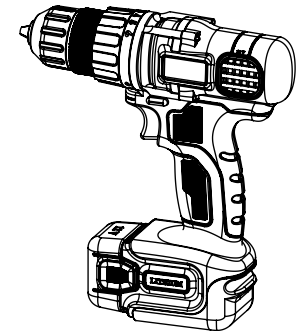
## TOOLS REQUIRED



LARGE ALLEN KEY



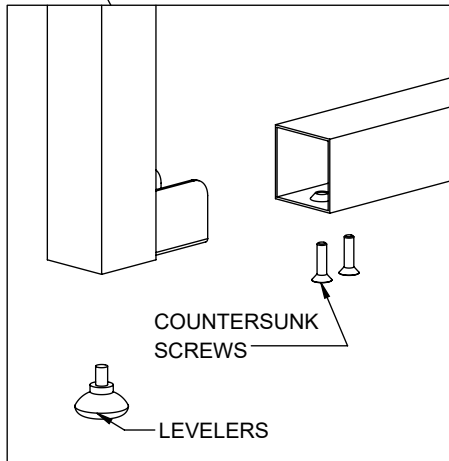
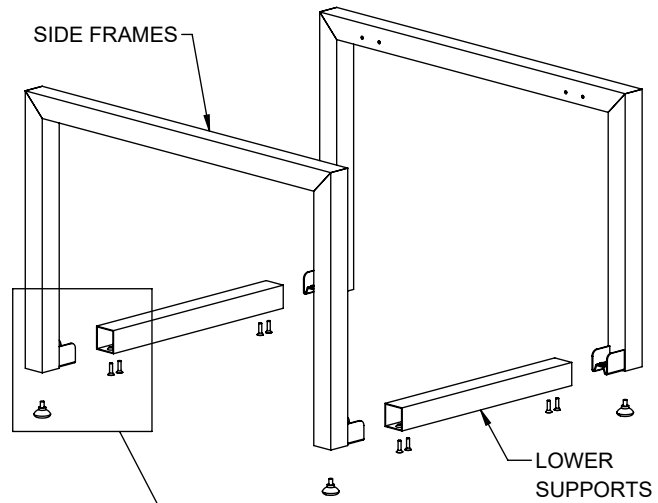
SMALL ALLEN KEY



POWER DRILL  
(NOT INCLUDED)

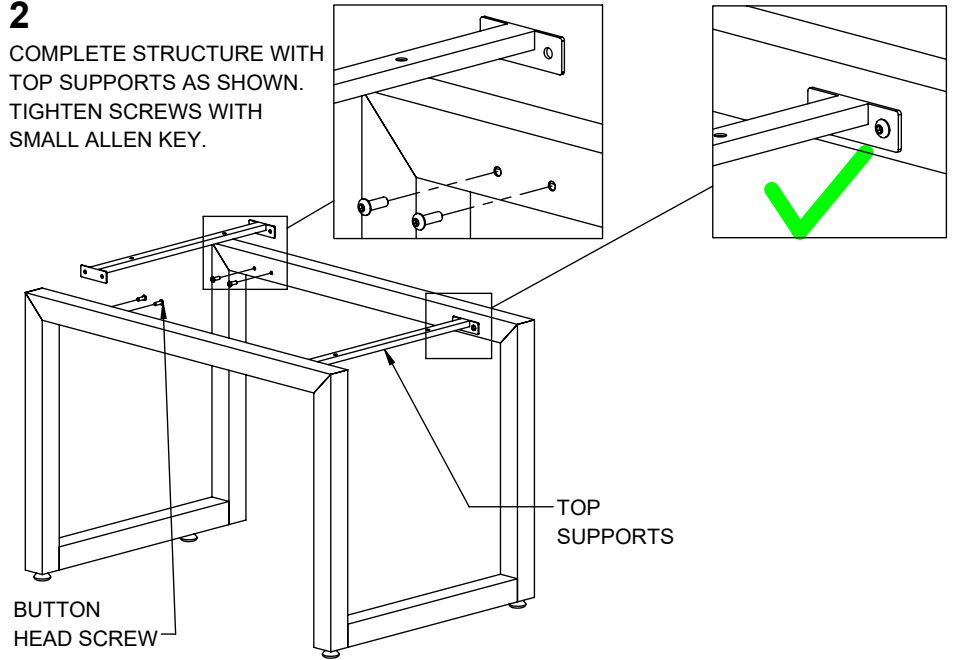
**1**

ASSEMBLE SIDE FRAMES WITH LOWER SUPPORTS AS SHOWN. TIGHTEN SCREWS WITH LARGE ALLEN KEY.



**2**

COMPLETE STRUCTURE WITH TOP SUPPORTS AS SHOWN. TIGHTEN SCREWS WITH SMALL ALLEN KEY.



**3**

ALIGN WOOD TOP ON FRAME AND SECURE WITH WOOD SCREWS USING A POWER DRILL WITH A LOW TORQUE SETTING.

