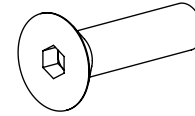


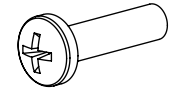
ALTA PDESTAL TABLE

Item #T504SC-H

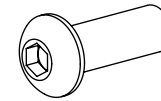
INCLUDED HARDWARE



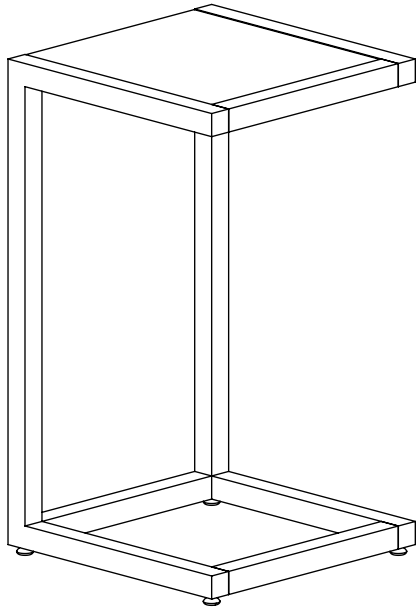
8X
COUNTERSUNK SCREWS



4X
WOOD SCREWS



8X
BUTTON HEAD SCREWS



SHOWN WITH TSF241H WOOD TOP

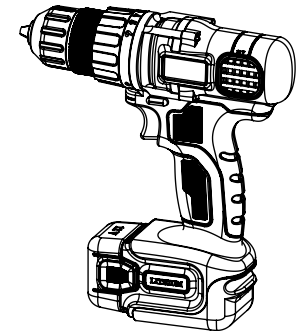
TOOLS REQUIRED



LARGE ALLEN KEY



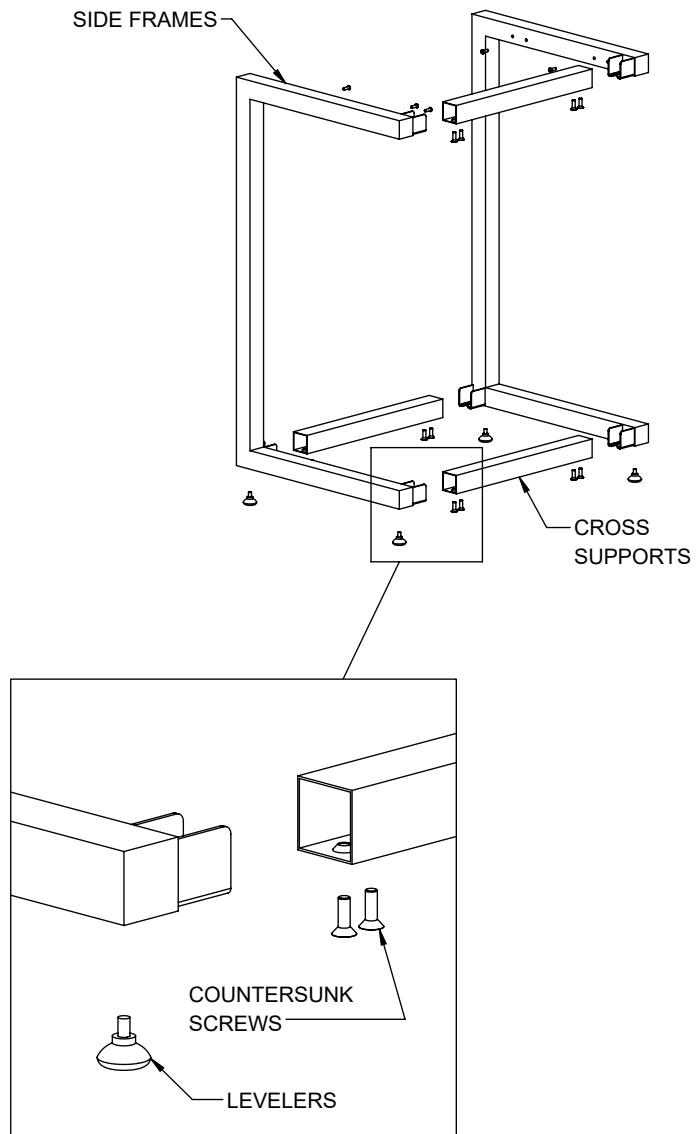
SMALL ALLEN KEY



POWER DRILL
(NOT INCLUDED)

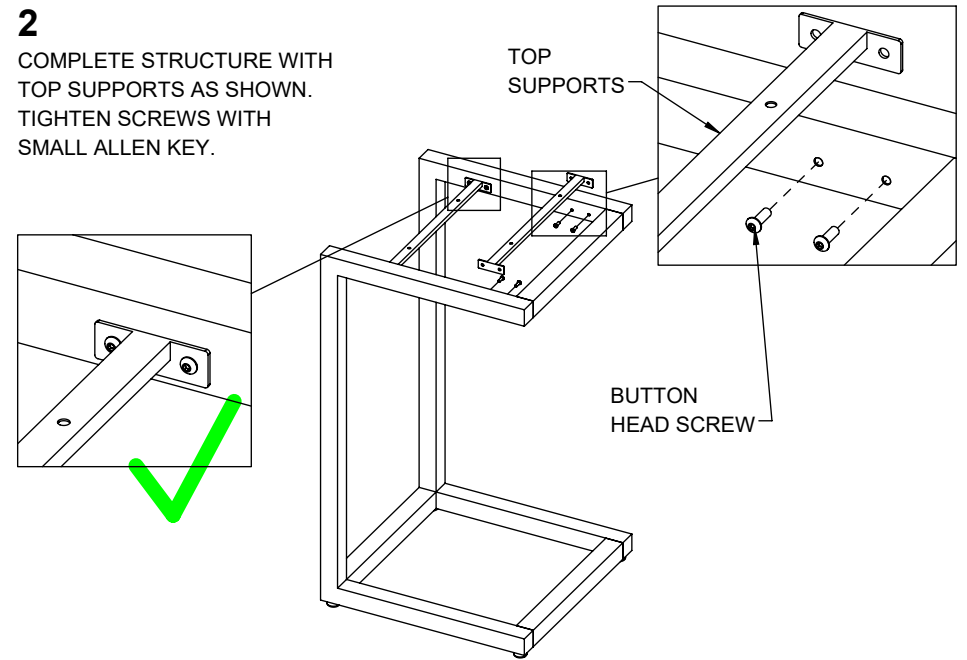
1

ASSEMBLE SIDE FRAMES WITH CROSS SUPPORTS AS SHOWN. TIGHTEN SCREWS WITH LARGE ALLEN KEY.



2

COMPLETE STRUCTURE WITH TOP SUPPORTS AS SHOWN. TIGHTEN SCREWS WITH SMALL ALLEN KEY.



3

ALIGN WOOD TOP ON FRAME AND SECURE WITH WOOD SCREWS USING A POWER DRILL WITH A LOW TORQUE SETTING.

