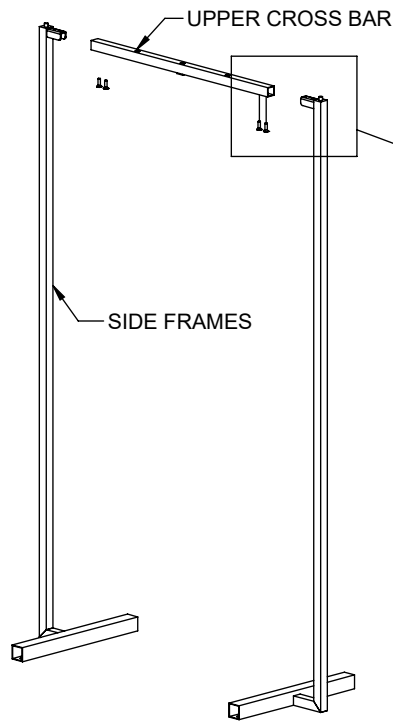


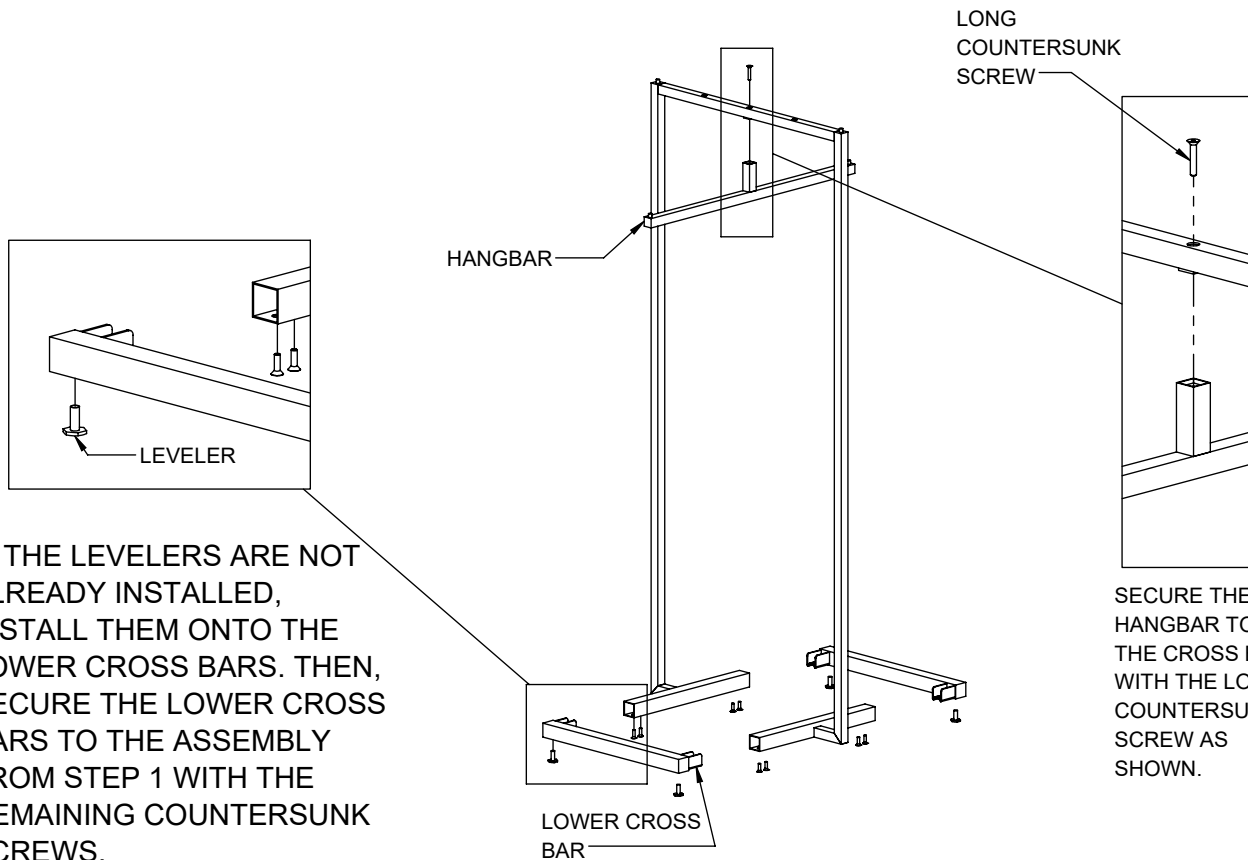
1

LNE2W ASSEMBLY INSTRUCTIONS



JOIN THE 2 SIDE FRAMES TO THE UPPER CROSS BAR USING (4) SHORT COUNTERSUNK SCREWS. **NOTE: THE HOLES ON THE HANGBAR SHOULD BE FACING UP.**

2



IF THE LEVELERS ARE NOT ALREADY INSTALLED, INSTALL THEM ONTO THE LOWER CROSS BARS. THEN, SECURE THE LOWER CROSS BARS TO THE ASSEMBLY FROM STEP 1 WITH THE REMAINING COUNTERSUNK SCREWS.

SECURE THE HANGBAR TO THE CROSS BAR WITH THE LONG COUNTERSUNK SCREW AS SHOWN.