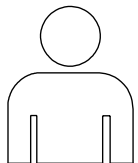
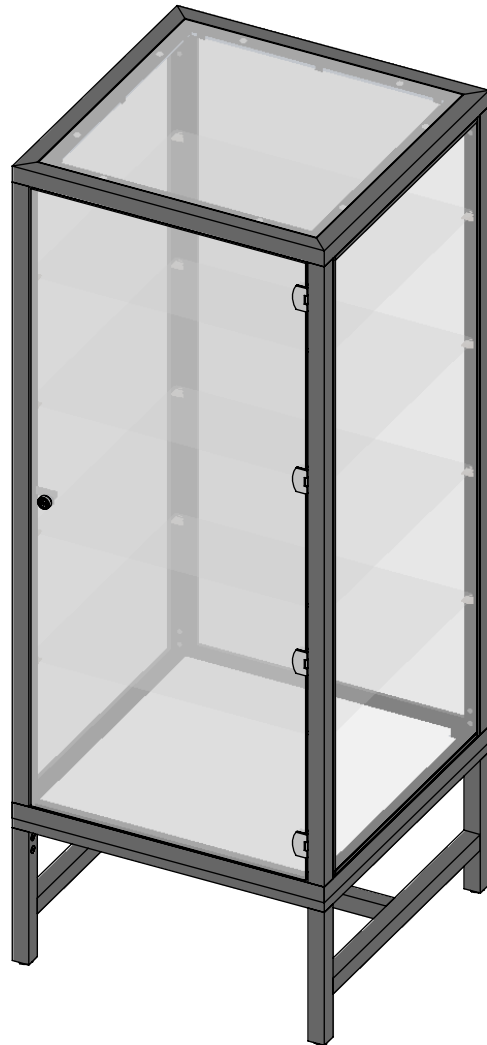


TALL SHOWCASE

Item # DDKIT4



**2 PEOPLE
REQUIRED
FOR
ASSEMBLY**

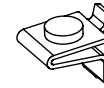
INCLUDED HARDWARE



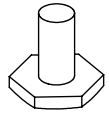
20X
1/4"-20 x 1 1/8" L
CSK SOCKET
HEAD SCREW



8X
1/4"-20 x 5/8" L
LOW PROFILE
SOCKET HEAD
CAP SCREW



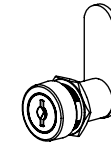
16X
SHELF SUPPORT
CLIPS



4X
3/8-16 X 1" L
METAL LEVELER



4X
1/4"-20 x 1/2" L LOW
PROFILE SOCKET
HEAD CAP SCREW

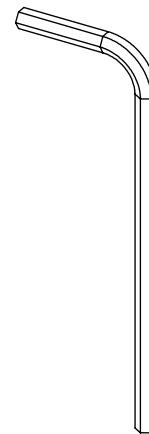


1X
CAM LOCK ASSEMBLY



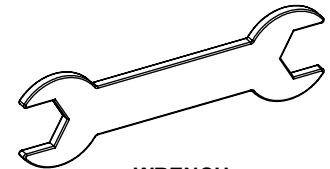
12X
SET SCREW

TOOLS INCLUDED

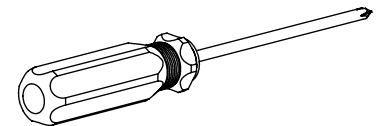


ALLEN KEY

TOOLS REQUIRED



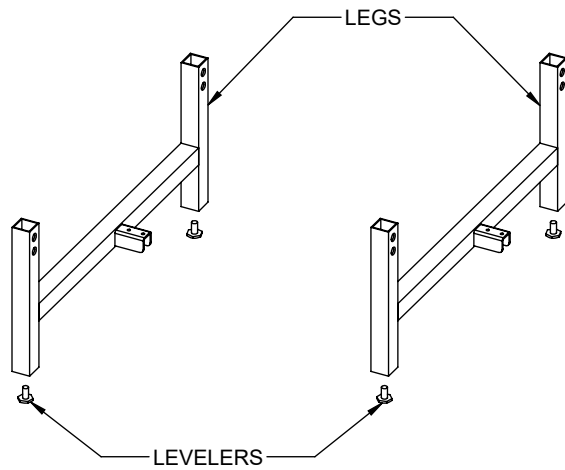
WRENCH



**PHILLIPS
SCREWDRIVER**

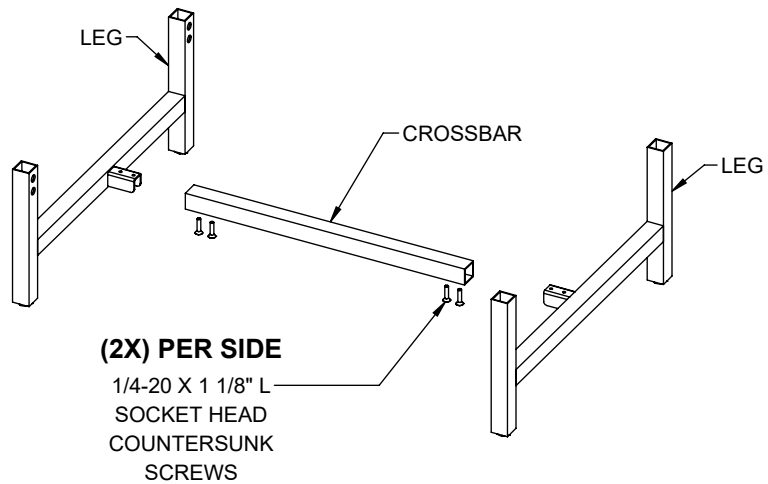
1

ENSURE THAT ALL (4) LEVELERS ARE PROPERLY SCREWED INTO THE BOTTOM OF THE LEGS.



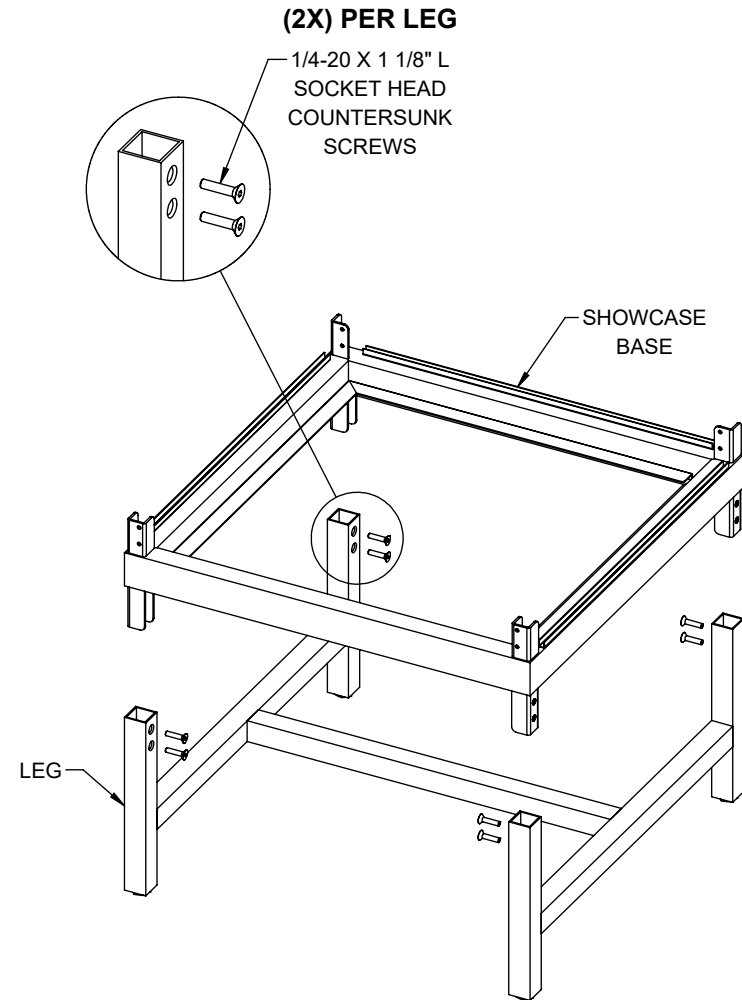
2

MOUNT THE (2) LEGS TOGETHER USING THE CROSSBAR.



3

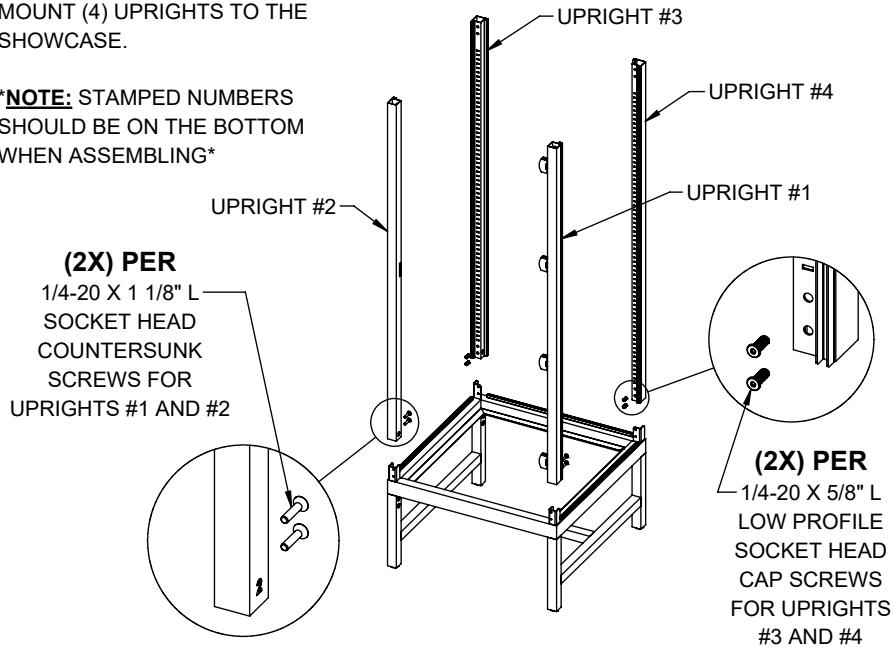
MOUNT SHOWCASE BASE TO THE LEGS.



4

MOUNT (4) UPRIGHTS TO THE SHOWCASE.

***NOTE:** STAMPED NUMBERS SHOULD BE ON THE BOTTOM WHEN ASSEMBLING*

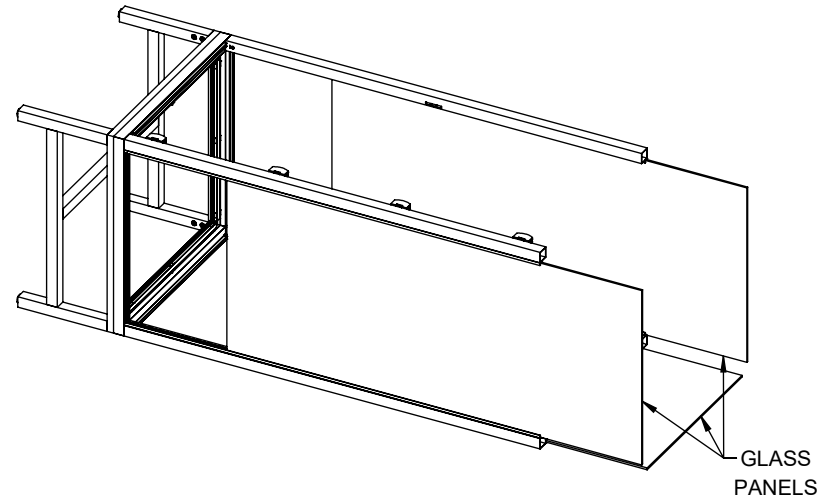


***NOTE:** ENSURE THAT THE WIRE THAT EXITS THE BOTTOM OF THE UPRIGHT MOUSEHOLE DOES NOT PINCH ANYWHERE.*

5

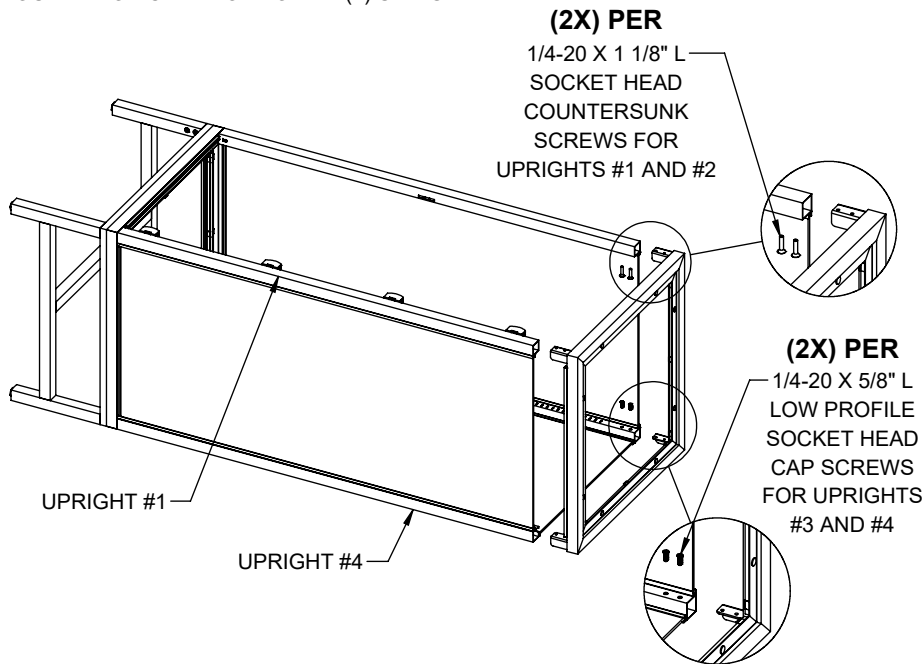
LAY THE FRAME ON ITS SIDE WITH THE **DOOR HINGES FACING UP**, AND CAREFULLY SLIDE IN THE GLASS PANELS.

****NOTE:** WE RECOMMEND LAYING SOMETHING ON THE FLOOR TO PROTECT THE FINISH OF THE SHOWCASE**



6

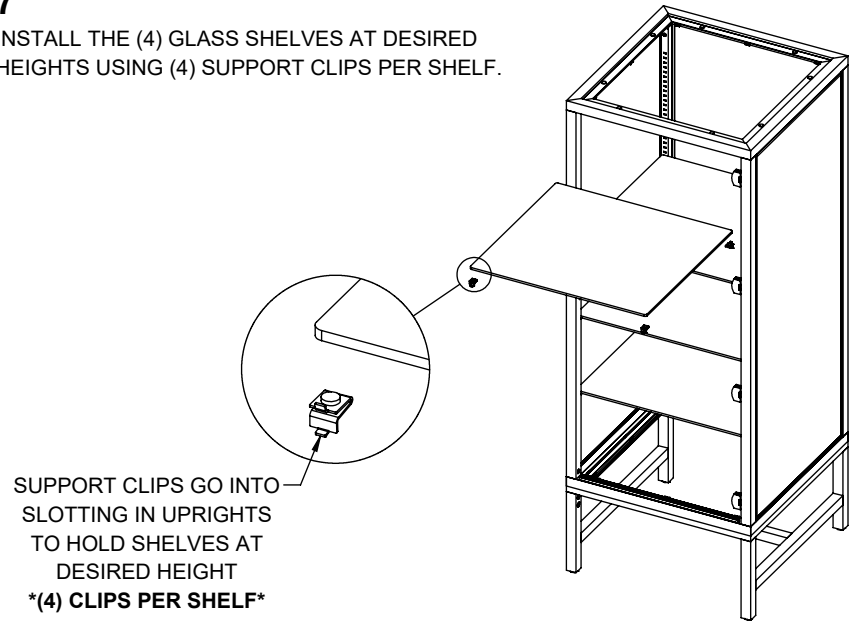
MOUNT SHOWCASE TOP TO THE (4) UPRIGHTS.



***NOTE:** MAKE SURE TO CONNECT THE TOP LEDS TO THE PRE-INSTALLED WIRE IN UPRIGHT #4. EXCESS WIRE CAN BE STUFFED INTO THE TUBE THROUGH THE MOUSEHOLE*

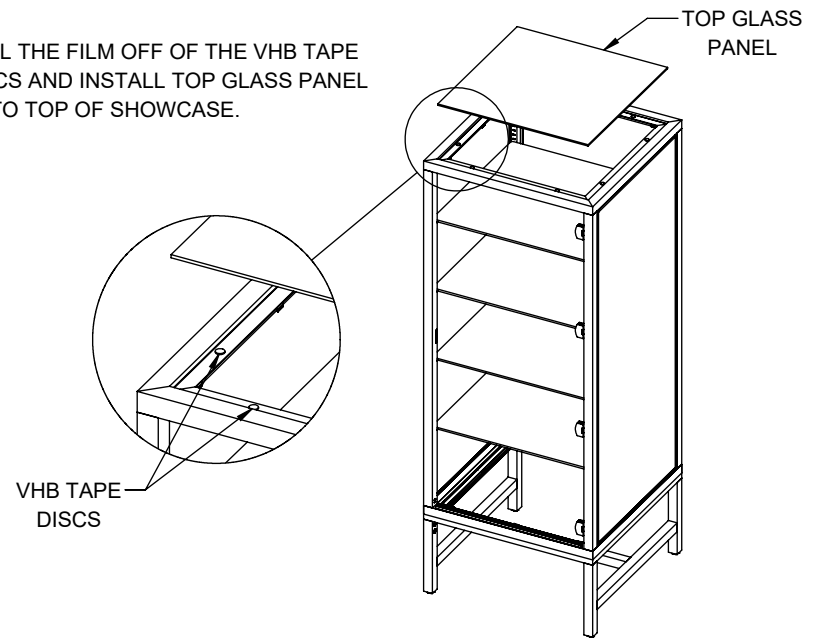
7

INSTALL THE (4) GLASS SHELVES AT DESIRED HEIGHTS USING (4) SUPPORT CLIPS PER SHELF.



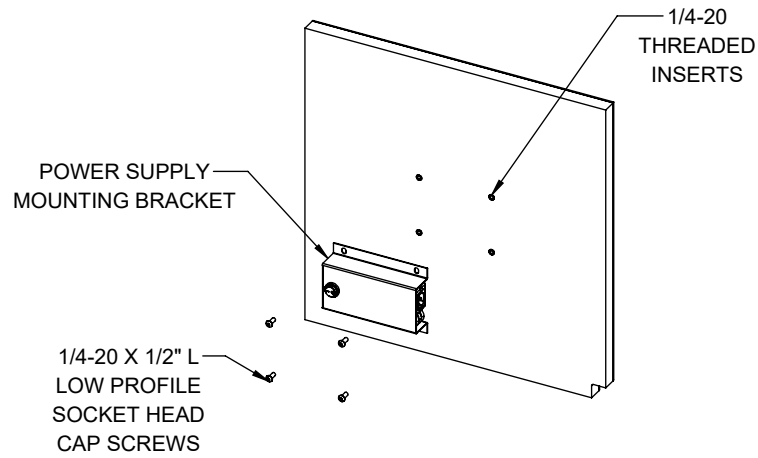
8

PEEL THE FILM OFF OF THE VHB TAPE DISCS AND INSTALL TOP GLASS PANEL ONTO TOP OF SHOWCASE.



9

MOUNT POWER SUPPLY MOUNTING BRACKET TO THE SHOWCASE FLOOR PANEL USING (4) 1/4-20 X 1/2" L LOW PROFILE SOCKET HEAD CAP SCREWS.

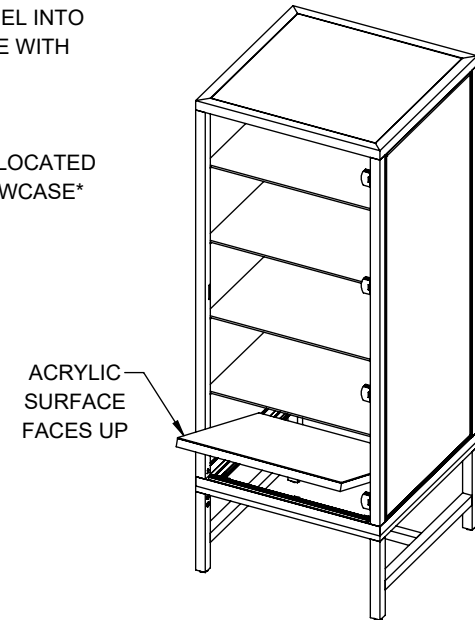


***NOTE:** WIRE WILL CONNECT TO THE WIRE AT THE BOTTOM OF UPRIGHT #4 WHEN INSTALLED*

10

INSTALL SHOWCASE FLOOR PANEL INTO THE BOTTOM OF THE SHOWCASE WITH THE POWER SUPPLY MOUNTING BRACKET FACING THE DOWN.

***NOTE:** THE NOTCH SHOULD BE LOCATED IN THE BACK RIGHT OF THE SHOWCASE*



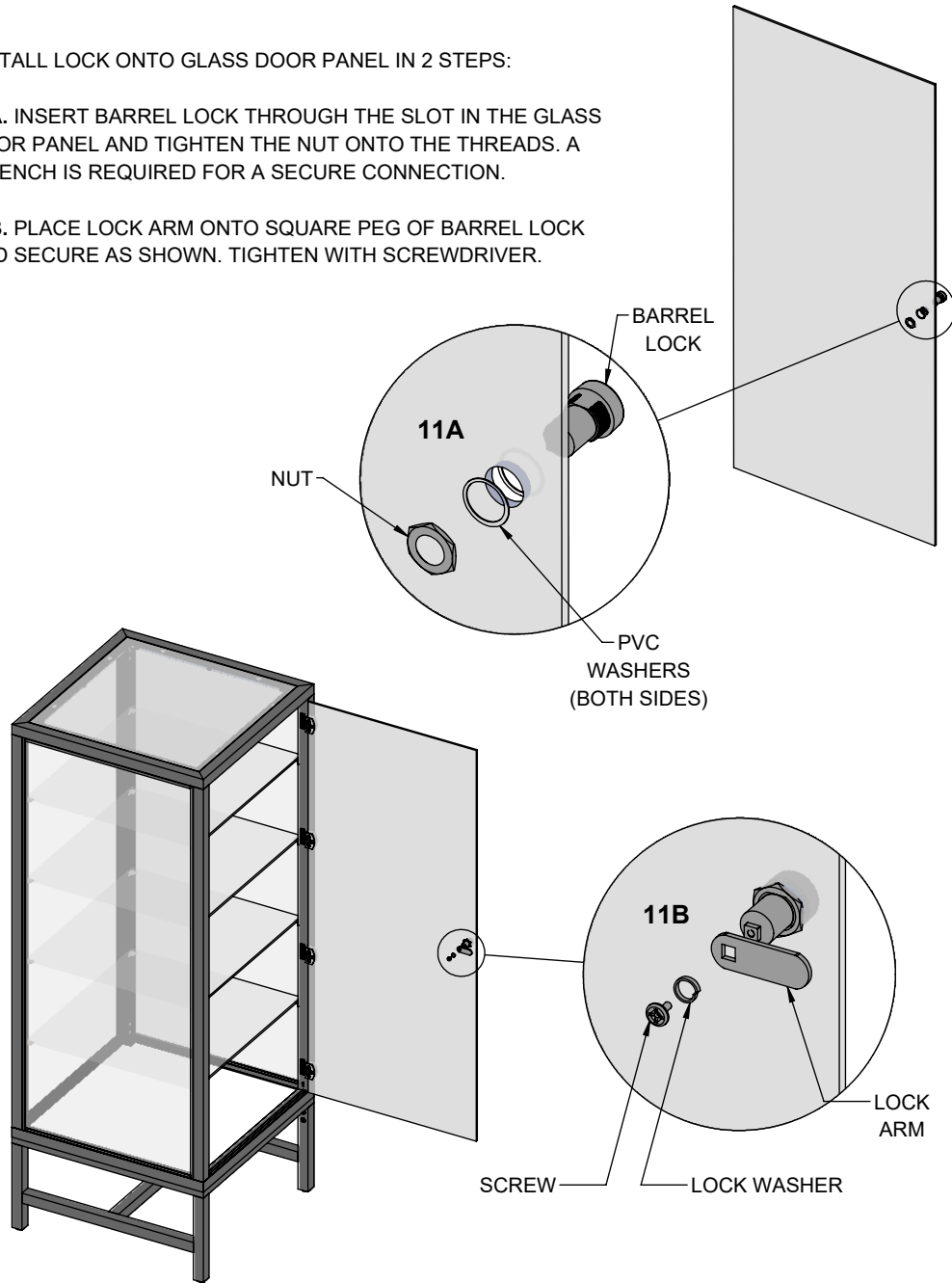
***NOTE:** MAKE SURE TO CONNECT THE WIRE FROM THE POWER SUPPLY TO THE WIRE COMING OUT THE BOTTOM OF UPRIGHT #4*

11

INSTALL LOCK ONTO GLASS DOOR PANEL IN 2 STEPS:

11A. INSERT BARREL LOCK THROUGH THE SLOT IN THE GLASS DOOR PANEL AND TIGHTEN THE NUT ONTO THE THREADS. A WRENCH IS REQUIRED FOR A SECURE CONNECTION.

11B. PLACE LOCK ARM ONTO SQUARE PEG OF BARREL LOCK AND SECURE AS SHOWN. TIGHTEN WITH SCREWDRIVER.

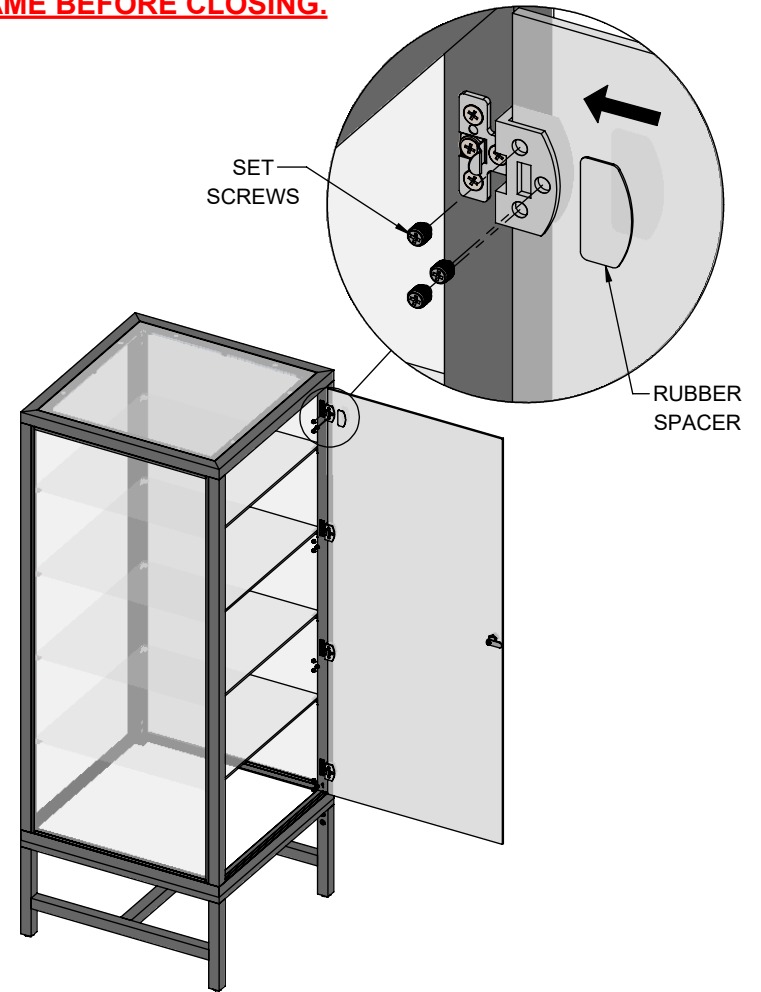


***NOTE:** 2 PEOPLE ARE REQUIRED FOR THIS STEP*

12

INSERT RUBBER SPACER BETWEEN THE HINGE AND THE GLASS DOOR PANEL. THEN, TIGHTEN USING (3) SET SCREWS PER HINGE.

CHECK THE GLASS DOOR IS CENTERED INSIDE THE METAL FRAME BEFORE CLOSING.



TROUBLE SHOOTING INSTRUCTIONS

1

CHECK CONNECTION BETWEEN LED LIGHTS AND WIRE INSIDE OF UPRIGHT #4 (CONNECTION FROM [STEP 6](#).)

TRY TURNING ON LIGHTS AGAIN. IF LIGHTS DO NOT TURN ON, GO TO NEXT STEP.

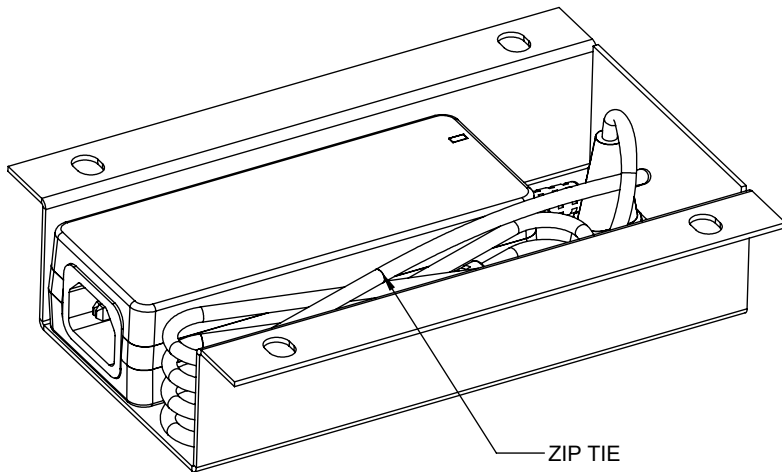
2

CHECK CONNECTION BETWEEN MOUNTING BRICK AND WIRE INSIDE OF UPRIGHT #4 (CONNECTION FROM [STEP 10](#).)

TRY TURNING ON LIGHTS AGAIN. IF LIGHTS DO NOT TURN ON, GO TO NEXT STEP.

3

UNMOUNT MOUNTING BRACKET.
CUT ZIP TIE HOLDING BUNDLE OF WIRES TOGETHER.



4

UNPLUG AND RECONNECT THE POWER ADAPTER TO THE SWITCH.

TRY TURNING ON LIGHTS AGAIN. IF LIGHTS DO NOT TURN ON, PLEASE CONTACT SUPPLIER FOR REPLACEMENT PARTS.

