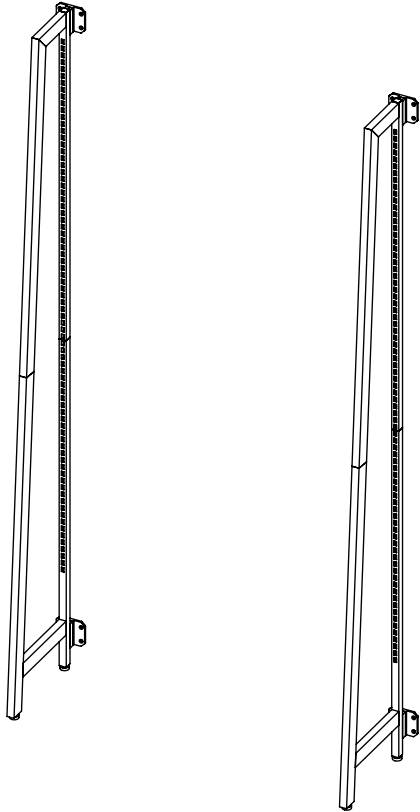
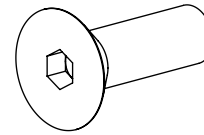


SET OF (2) OUTRIGGERS

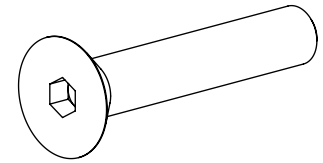
Item # APOR



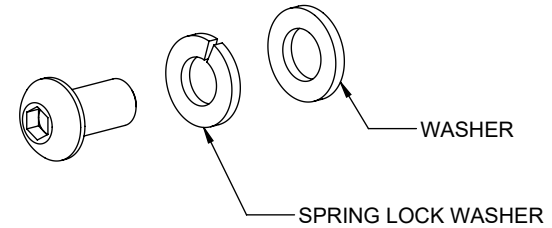
INCLUDED HARDWARE



8X
5/16-18 X 1"
CSK SOCKET HEAD SCREW



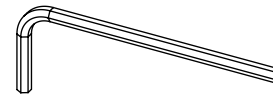
20X
5/16-18 X 1.75" L
CSK SOCKET HEAD SCREW



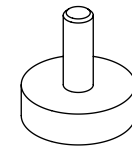
4X
1/4"-20 x 0.5" LONG
SOCKET BUTTON
HEAD CAP SCREW

WASHER

SPRING LOCK WASHER

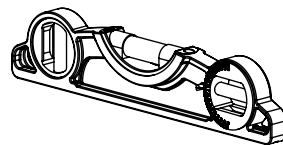


2X
ALLEN KEY
4mm, 5mm

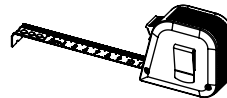


4X
3/8-16" x 1" LONG
NYLON LEVELER

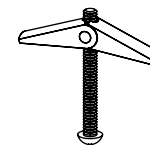
TOOLS REQUIRED



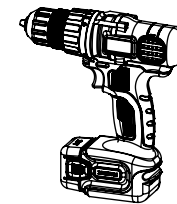
BUBBLE LEVEL



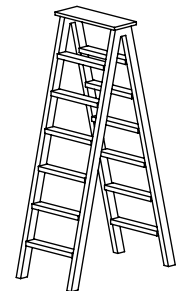
TAPE MEASURE



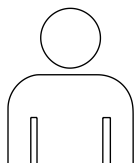
1/4" WALL ANCHORS
(STYLE DEPENDENT ON
WALL STRUCTURE)



POWER DRILL



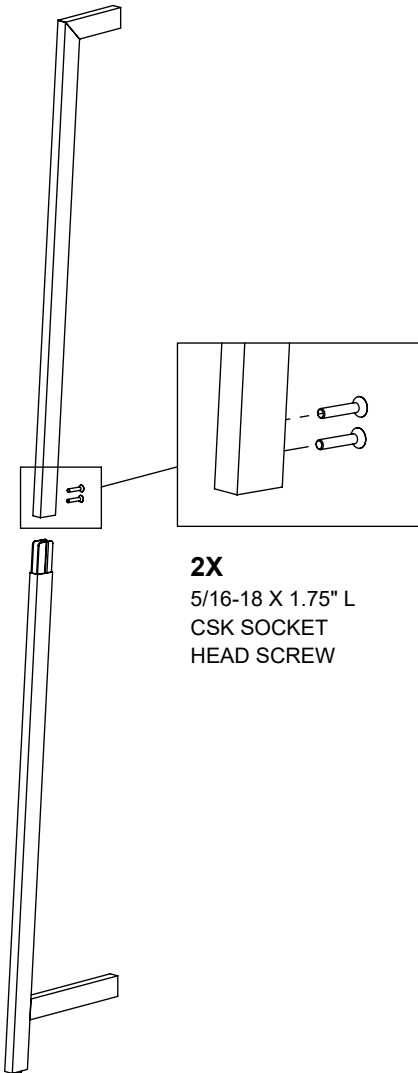
STEP LADDER



**2 PEOPLE
REQUIRED
FOR
ASSEMBLY**

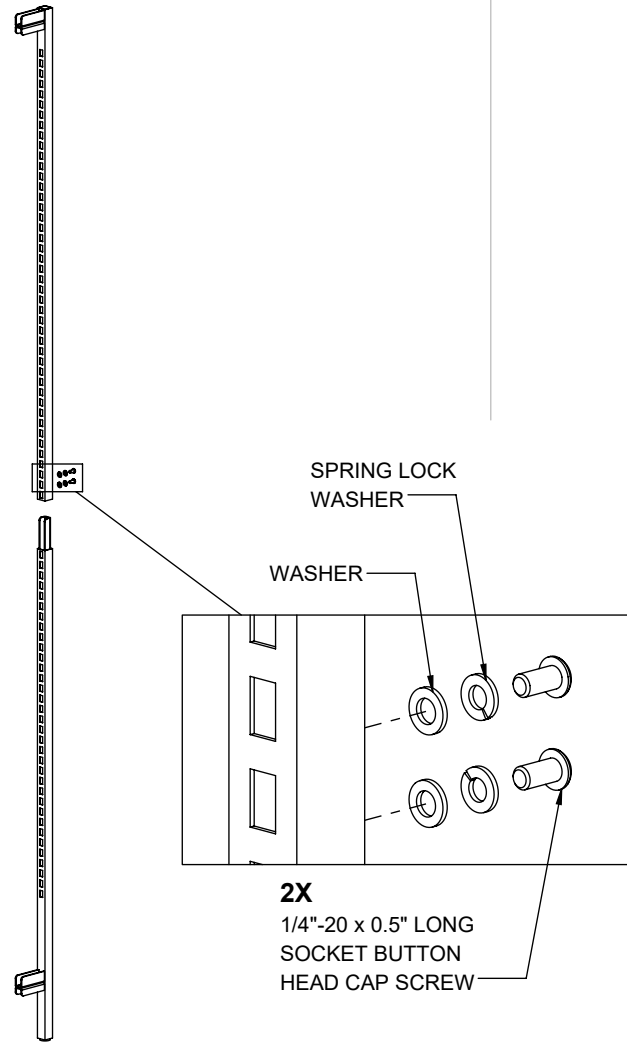
1

ASSEMBLE FRONT UPRIGHT.



2

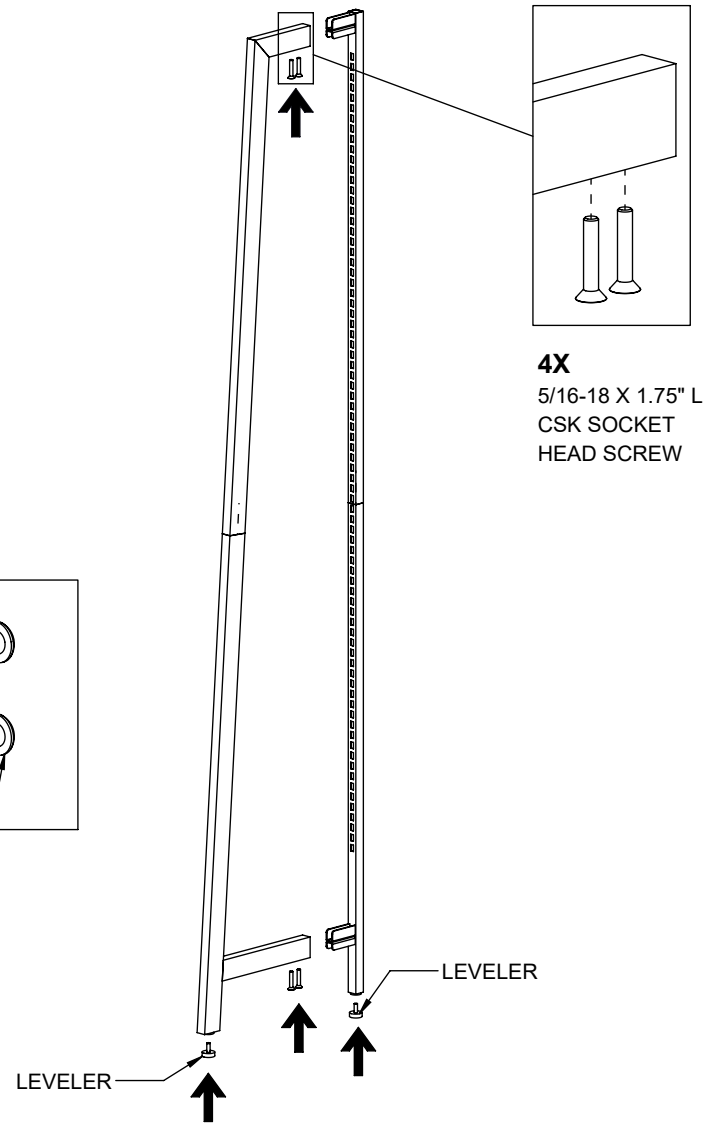
ASSEMBLE BACK UPRIGHT.



3

PUT FRONT AND BACK UPRIGHTS TOGETHER.

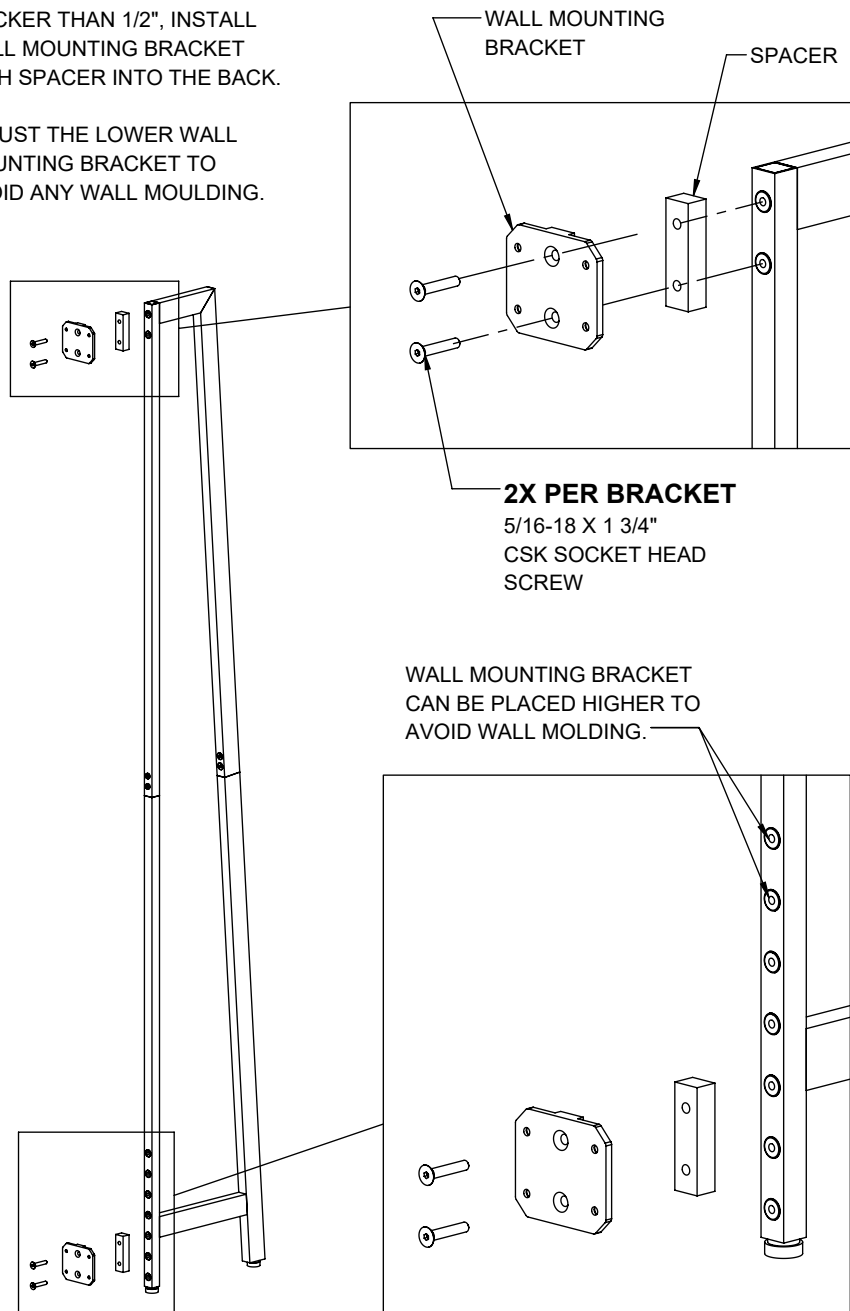
INSTALL LEVELER WITH APPROXIMATELY 3/8"
OF THREAD EXPOSED.



4A

IF YOUR WALL HAS MOULDING THICKER THAN 1/2", INSTALL WALL MOUNTING BRACKET WITH SPACER INTO THE BACK.

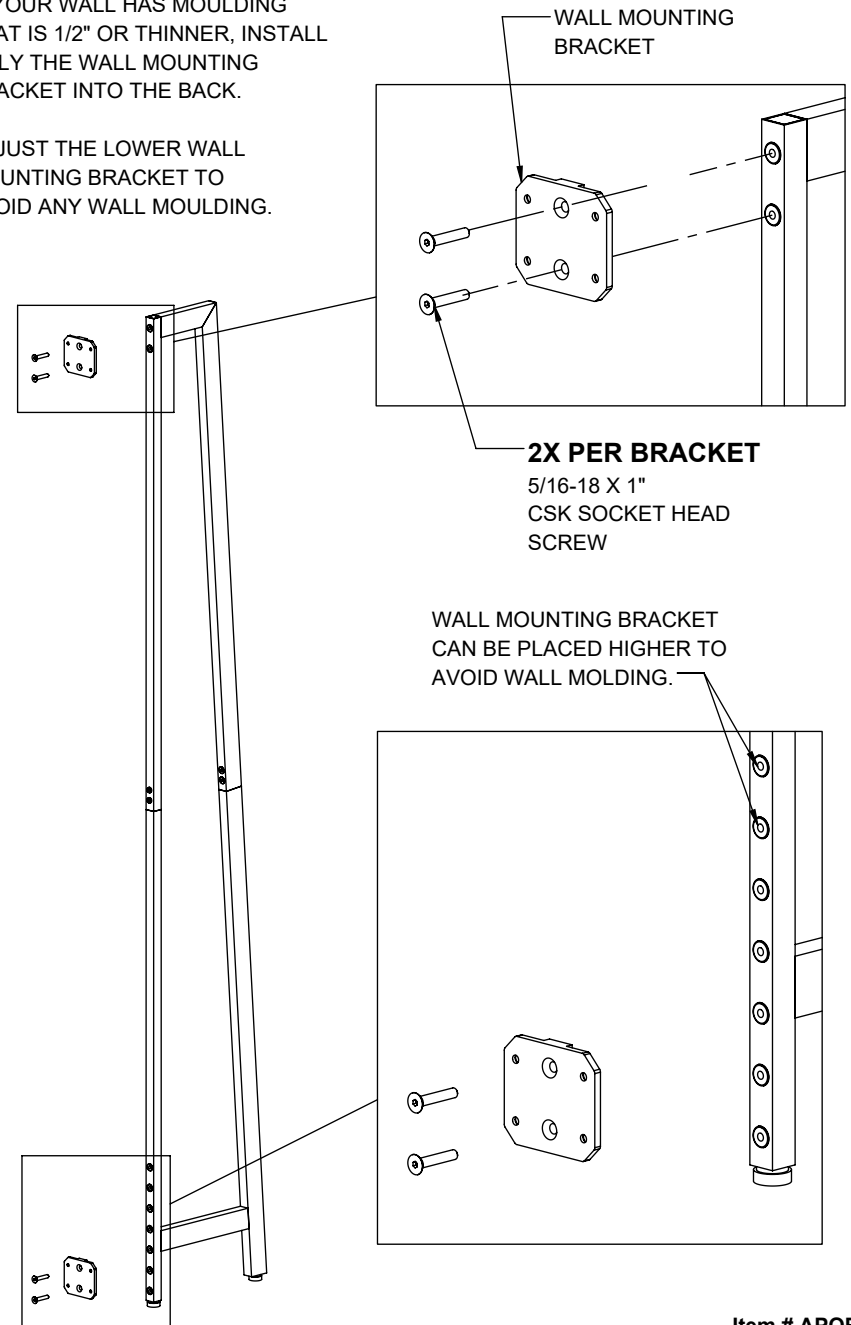
ADJUST THE LOWER WALL MOUNTING BRACKET TO AVOID ANY WALL MOULDING.



4B

IF YOUR WALL HAS MOULDING THAT IS 1/2" OR THINNER, INSTALL ONLY THE WALL MOUNTING BRACKET INTO THE BACK.

ADJUST THE LOWER WALL MOUNTING BRACKET TO AVOID ANY WALL MOULDING.



5

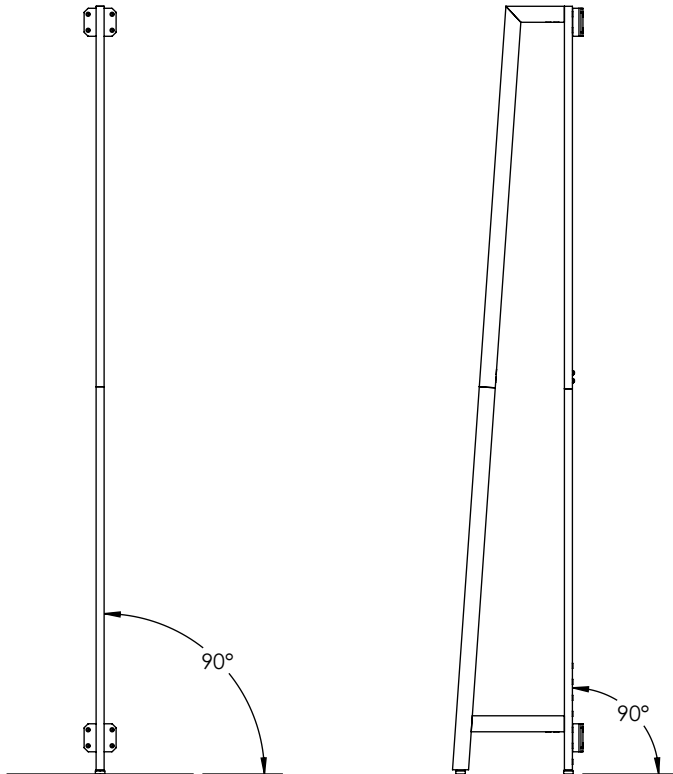
SECURE FIRST OUTRIGGER TO THE WALL.

WITH AT LEAST 2 PEOPLE, POSITION THE ASSEMBLED UPRIGHT AGAINST THE WALL.

USING A LEVEL, CHECK THAT THE POST IS PLUMB.

MARK AND SECURE THE WALL MOUNTING BRACKETS TO THE WALL AS REQUIRED WITH APPROPRIATE HARDWARE.

BE SURE THE LEVELER IS FIRMLY CONTACTING THE FLOOR. IF NOT, UNTHREAD UNTIL IT IS.

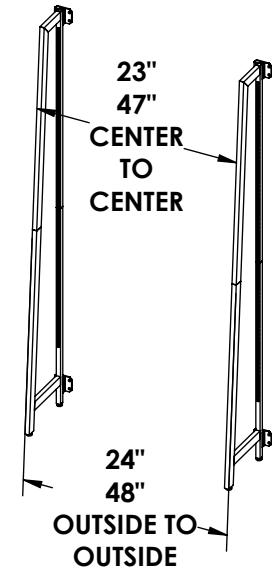


6

SECURE REMAINING OUTRIGGERS WHERE THEY ARE REQUIRED.

FOLLOW THE PRIOR STEPS TO ASSEMBLE REMAINING OUTRIGGER.

NOTE: THE OUTRIGGERS WILL BE PLACED SO THAT THE FRONT MEASURE 24" OR 48" OUTSIDE-TO-OUTSIDE.



RECOMMENDED BUT NOT MANDATORY
IT IS RECOMMENDED TO LOOSELY SECURE THE NEXT POST TO THE WALL SO AN ACCESSORY CAN BE TESTED.

IF THE ACCESSORY IS DIFFICULT TO INSTALL OR REMOVE, THE UPRIGHT WILL NEED TO BE ADJUSTED.

IF THE ACCESSORY IS NOT LEVEL, THE UPRIGHT LEVELERS MAY NEED TO BE ADJUSTED.

IF ACCESSORIES ARE NOT AVAILABLE, USE A TAPE MEASURE TO CHECK THE DISTANCE ON THE FRONT (SEE ABOVE.)

