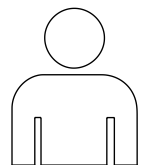
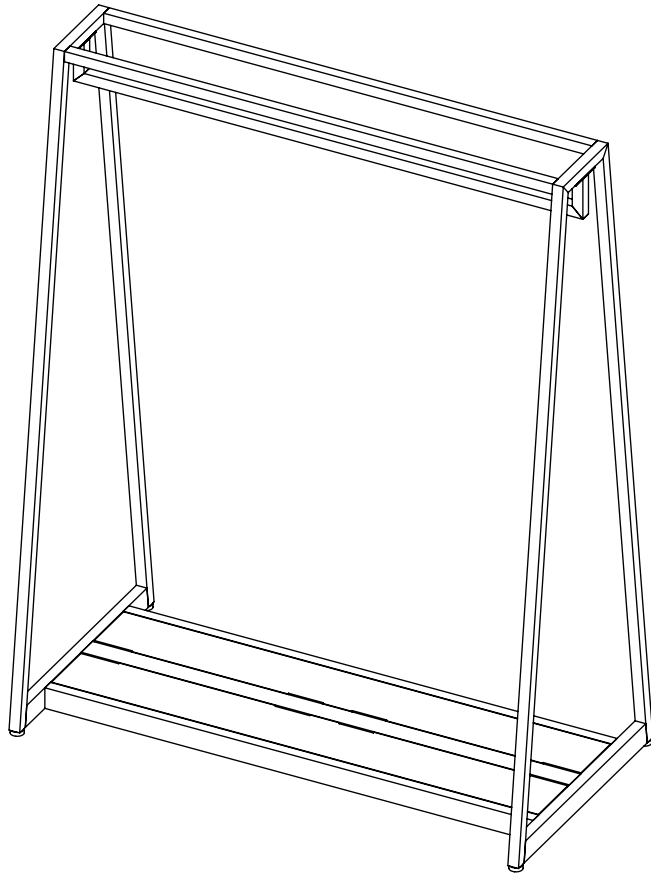


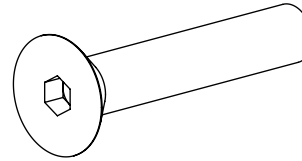
48" A-FRAME MERCHANTISER

Item # APA48FR, APA48WD

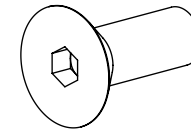


**2 PEOPLE
REQUIRED
FOR
ASSEMBLY**

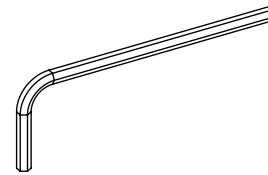
INCLUDED HARDWARE



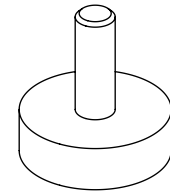
8X LONG SCREWS
5/16"-18 x 1.75" LONG
CSK SOCKET HEAD SCREW



16X SHORT SCREWS
5/16"-18 x 0.875" LONG
CSK SOCKET HEAD SCREW



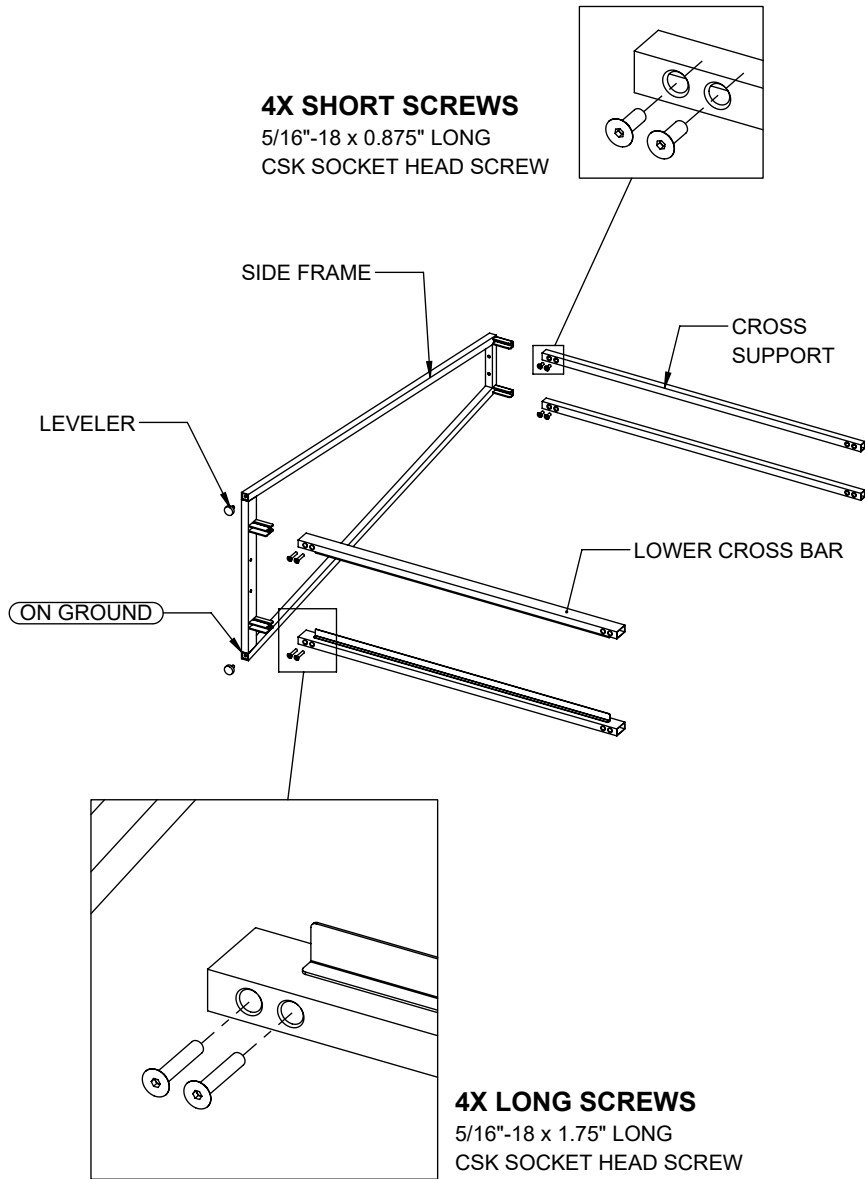
1X
5mm ALLEN KEY



4X
3/8-16"
NYLON LEVELER

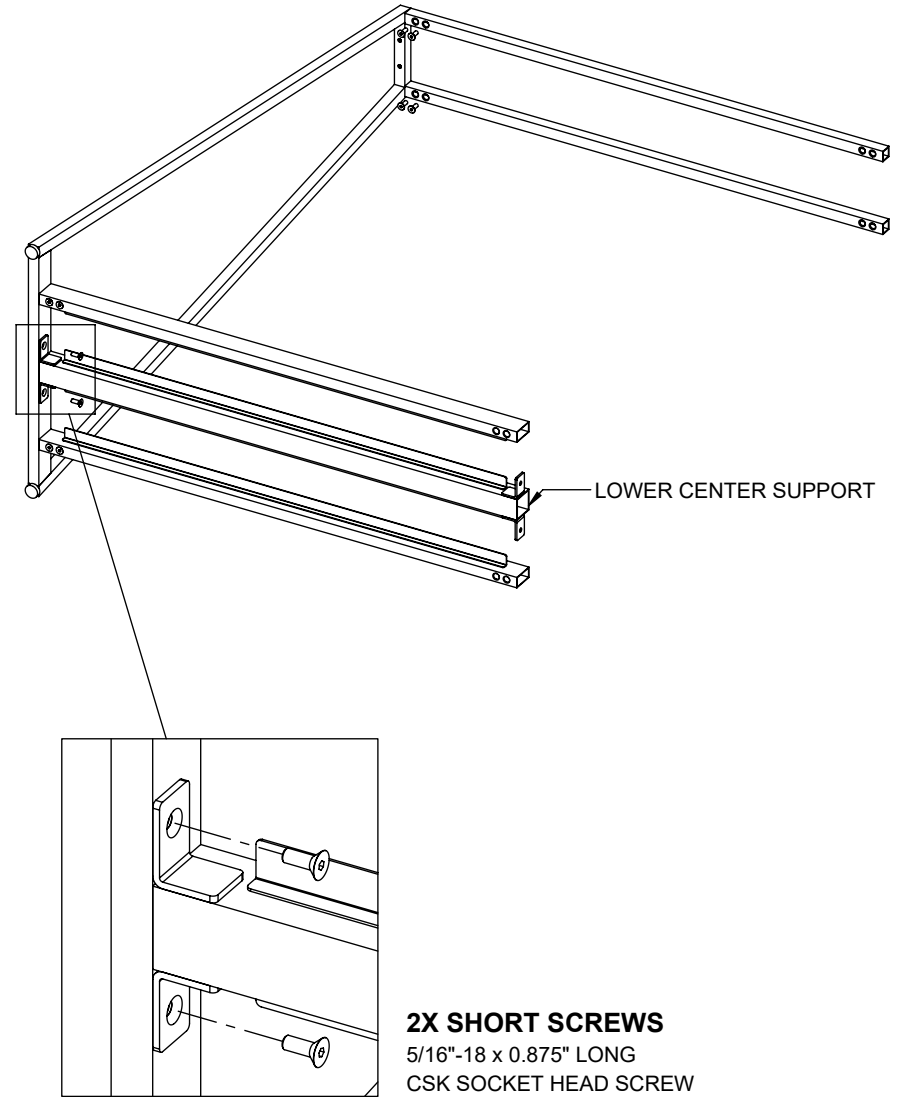
1

SCREW IN LEVELER INTO SIDE FRAME.
ASSEMBLE PARTS AS SHOWN.



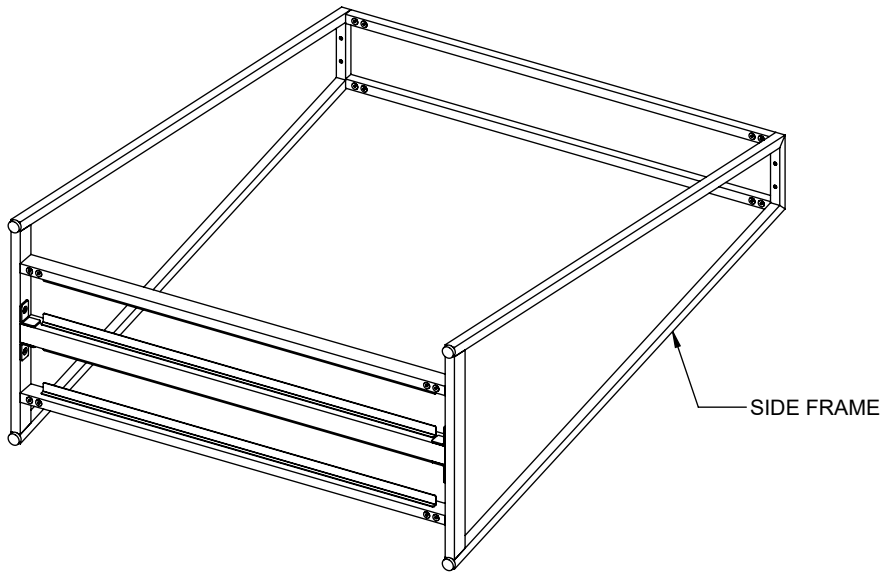
2

ASSEMBLE LOWER
CENTER SUPPORT.



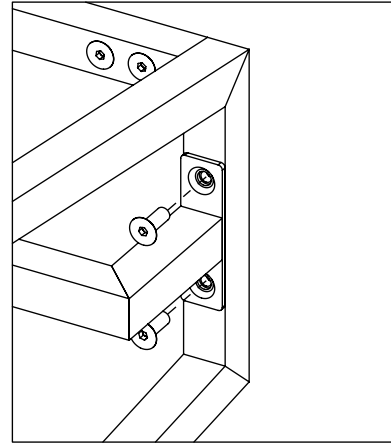
3

ASSEMBLE THE SECOND SIDE FRAME.
REPEAT STEPS 1 AND 2.

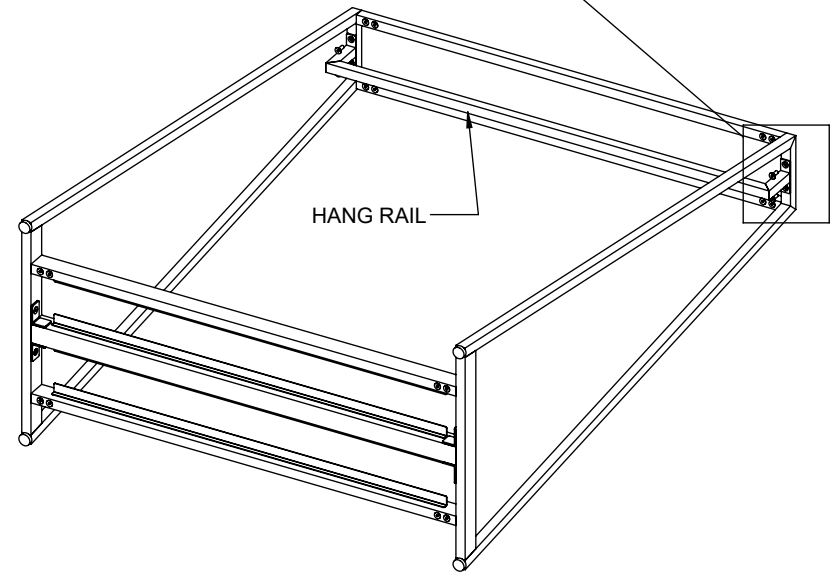


4

ASSEMBLE HANGRAIL.



4X SHORT SCREWS
5/16"-18 x 0.875" LONG
CSK SOCKET HEAD SCREW



DROP IN SHELF

DROP IN SHELF.

THERE ARE DIFFEREN FINISHES ON EACH SIDE
OF THE SHELF. TURN DESIRED FINISH FACE UP.

ASSEMBLY IS COMPLETE.

