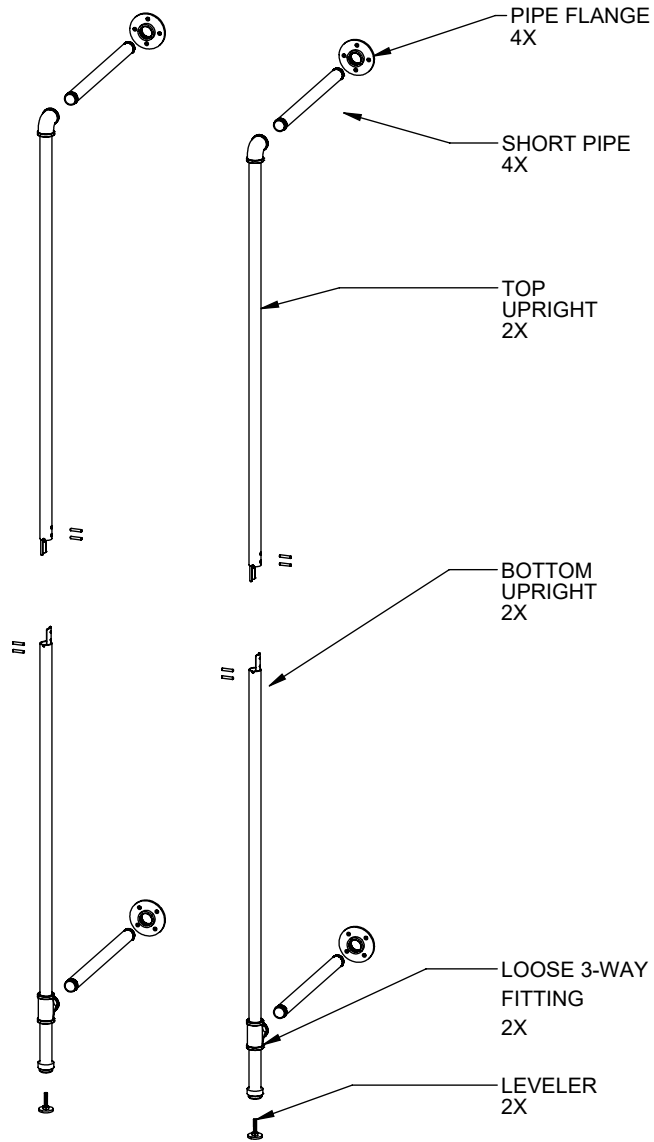


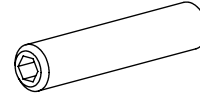
# PIPE OUTRIGGER

ITEM# PSOR



## PARTS LIST

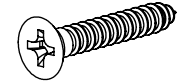
## INCLUDED HARDWARE



**8X**  
1/4"-20 x 27mm LONG  
SOCKET SET SCREW

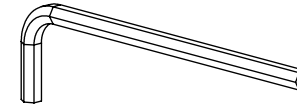


**2X**  
1/4"-20 x 8mm LONG  
SOCKET SET SCREW



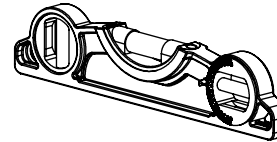
**16X**  
#10 x 19mm LONG  
WOOD SCREW  
(FOR WALL MOUNTING  
WITH APPROPRIATE  
STRUCTURE)

## INCLUDED TOOLS

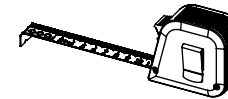


ALLEN KEY

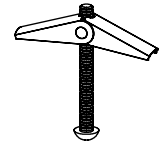
## NOT INCLUDED TOOLS



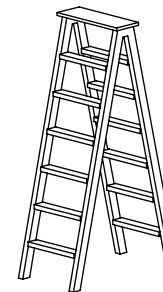
BUBBLE LEVEL



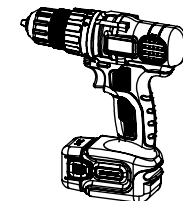
TAPE MEASURE



#10 WALL ANCHORS  
(STYLE DEPENDENT ON  
WALL STRUCTURE)



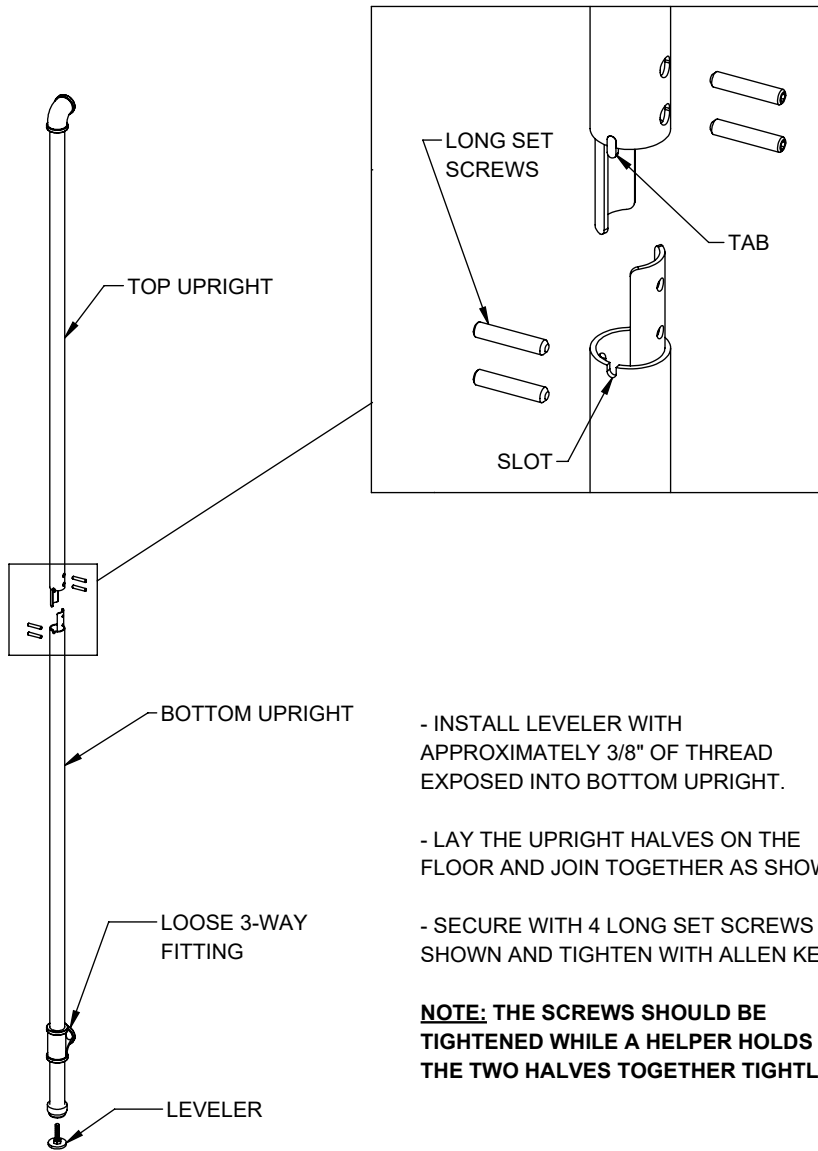
STEP LADDER



POWER DRILL

# 1

## ASSEMBLE OUTRIGGER POST

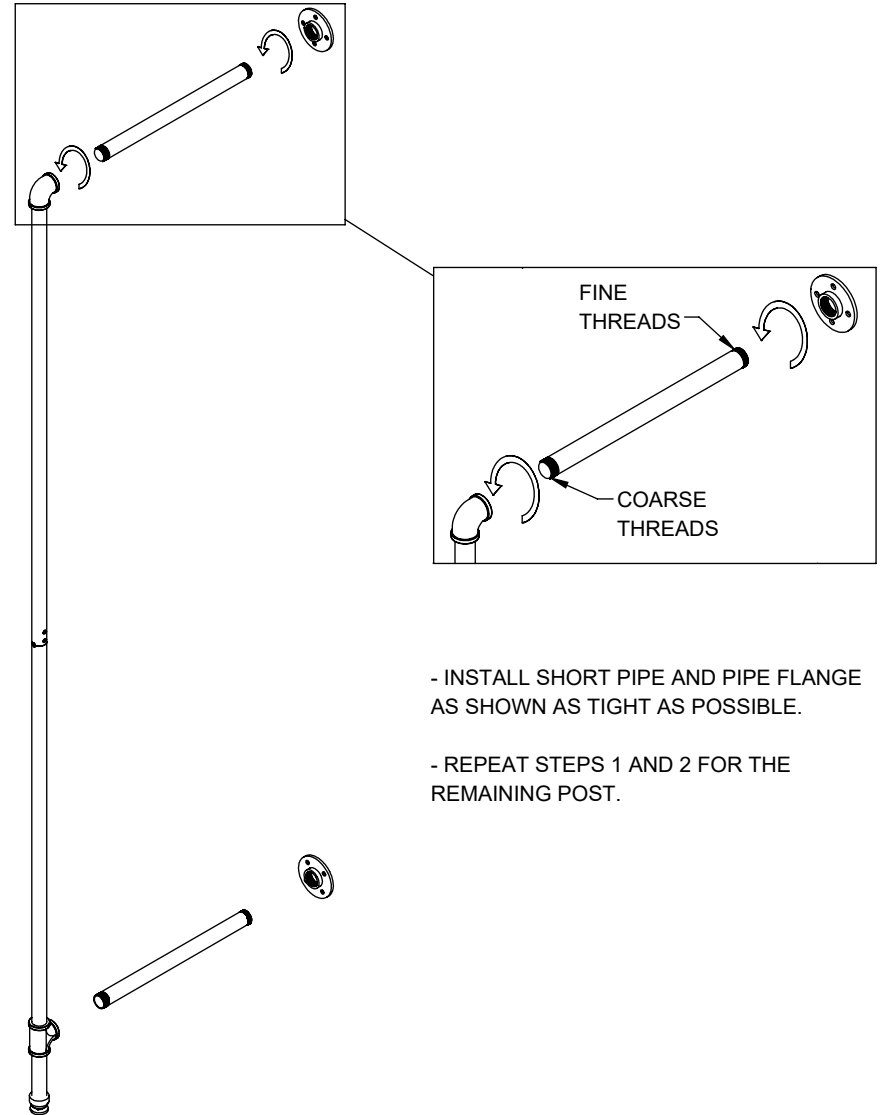


- INSTALL LEVELER WITH APPROXIMATELY 3/8" OF THREAD EXPOSED INTO BOTTOM UPRIGHT.
- LAY THE UPRIGHT HALVES ON THE FLOOR AND JOIN TOGETHER AS SHOWN.
- SECURE WITH 4 LONG SET SCREWS AS SHOWN AND TIGHTEN WITH ALLEN KEY.

**NOTE: THE SCREWS SHOULD BE TIGHTENED WHILE A HELPER HOLDS THE TWO HALVES TOGETHER TIGHTLY.**

# 2

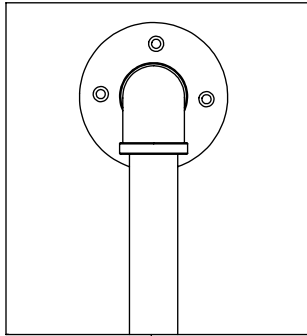
## INSTALL SHORT PIPES AND PIPE FLANGES FOR WALL MOUNTING



### 3

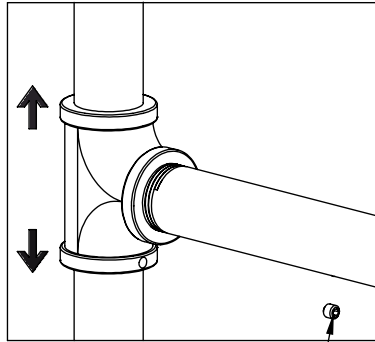
#### SECURE FIRST POST TO THE WALL

##### IDEAL FLANGE ORIENTATION



90.0°

##### SECURING LOWER CONNECTOR



SHORT SET  
SCREW  
(PRE-INSTALLED)

- WITH AT LEAST 2 PEOPLE, POSITION THE ASSEMBLED UPRIGHT AGAINST THE WALL.

- ADJUST THE LOWER CONNECTOR TO AVOID ANY WALL MOLDINGS AND SECURE THE HEIGHT BY TIGHTENING THE INSTALLED SHORT SET SCREW.

- USING A LEVEL, CHECK THAT THE POST IS PLUMB.

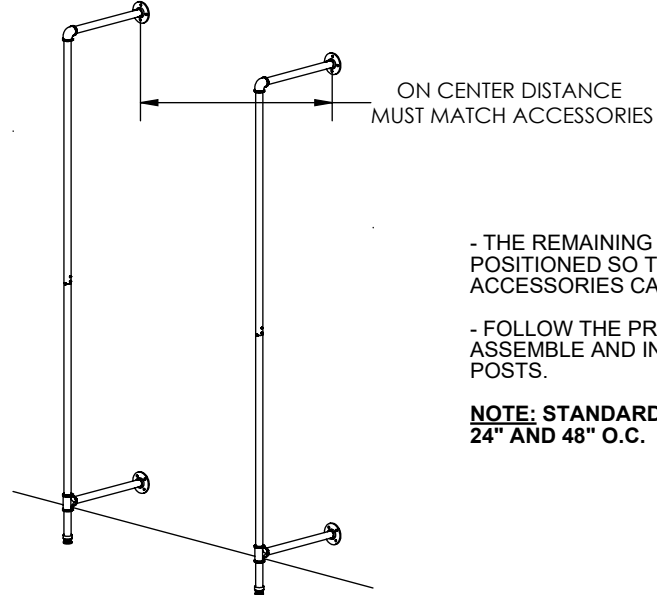
- MARK AND SECURE THE WALL FLANGES TO THE WALL AS REQUIRED WITH APPROPRIATE HARDWARE.

**NOTE: FOR MAXIMUM STRENGTH, THE PIPE FLANGE SHOULD BE ORIENTED AS SHOWN ABOVE.**

- BE SURE THE LEVELER IS FIRMLY CONTACTING THE FLOOR. IF NOT, UNTHREAD UNTIL IT IS.

### 4

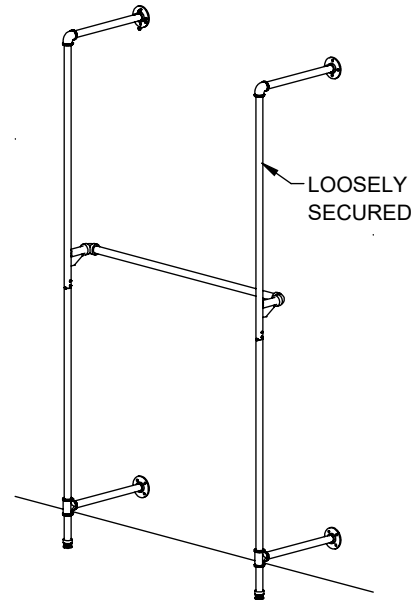
#### SECURE REMAINING POSTS WHERE THEY ARE REQUIRED



- THE REMAINING UPRIGHT MUST BE POSITIONED SO THE DESIRED ACCESSORIES CAN BE USED.

- FOLLOW THE PRIOR STEPS TO ASSEMBLE AND INSTALL ANY REMAINING POSTS.

**NOTE: STANDARD ACCESSORY SIZES ARE 24" AND 48" O.C.**



##### RECOMMENDED BUT NOT MANDATORY

- IT IS RECOMMENDED TO LOOSELY SECURE THE NEXT POST TO THE WALL SO AN ACCESSORY CAN BE TESTED.

- IF IT IS DIFFICULT TO INSTALL OR REMOVE, THE UPRIGHT MAY NEED TO BE ADJUSTED.

- IF THE ACCESSORY IS NOT LEVEL, THE UPRIGHT LEVELERS MAY NEED TO BE ADJUSTED.

- IF ACCESSORIES ARE NOT AVAILABLE, USE A TAPE MEASURE TO CHECK THE ON CENTER DISTANCE.