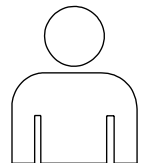
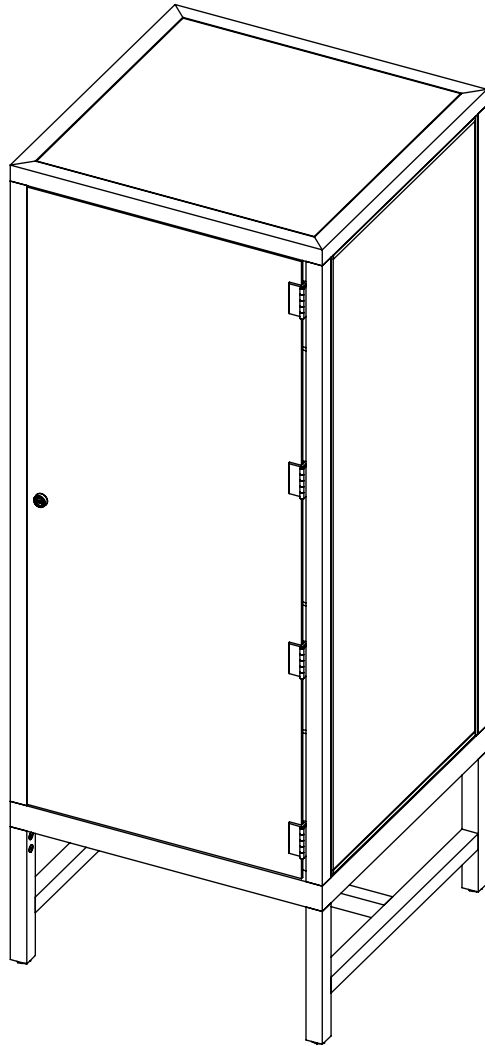


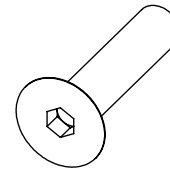
# TALL SHOWCASE

Item # DDKIT4

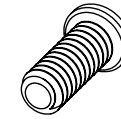


**2 PEOPLE  
REQUIRED  
FOR  
ASSEMBLY**

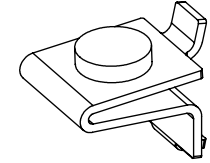
## INCLUDED HARDWARE



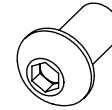
**20X**  
1/4"-20 x 1 1/8" L  
CSK SOCKET  
HEAD SCREW



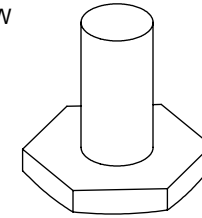
**8X**  
1/4"-20 x 5/8" L  
LOW PROFILE  
SOCKET HEAD  
CAP SCREW



**16X**  
SHELF SUPPORT CLIPS



**4X**  
1/4"-20 x 1/2" L  
LOW PROFILE  
SOCKET HEAD  
CAP SCREW

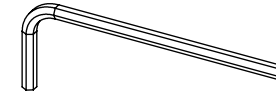


**4X**  
3/8-16 X 1" L  
METAL LEVELER



**12X**  
SET SCREW

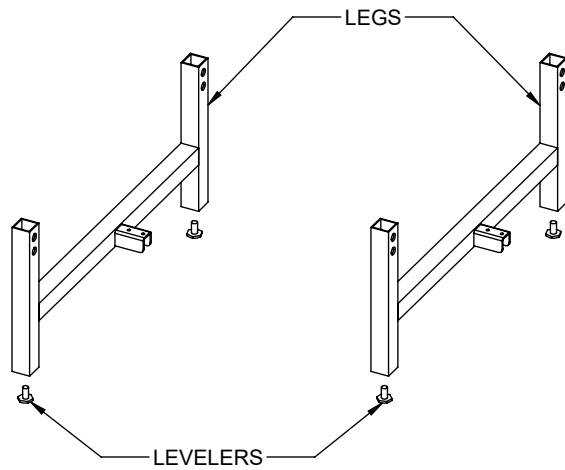
## TOOLS REQUIRED



**ALLEN KEY**

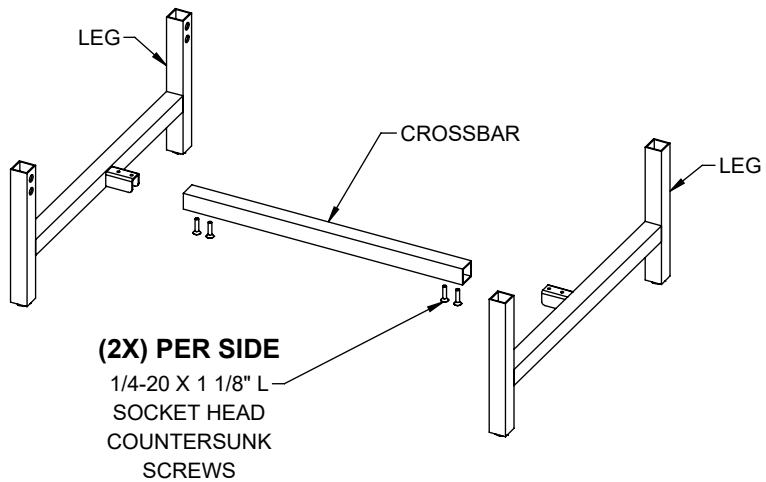
**1**

ENSURE THAT ALL (4) LEVELERS ARE PROPERLY SCREWED INTO THE BOTTOM OF THE LEGS.



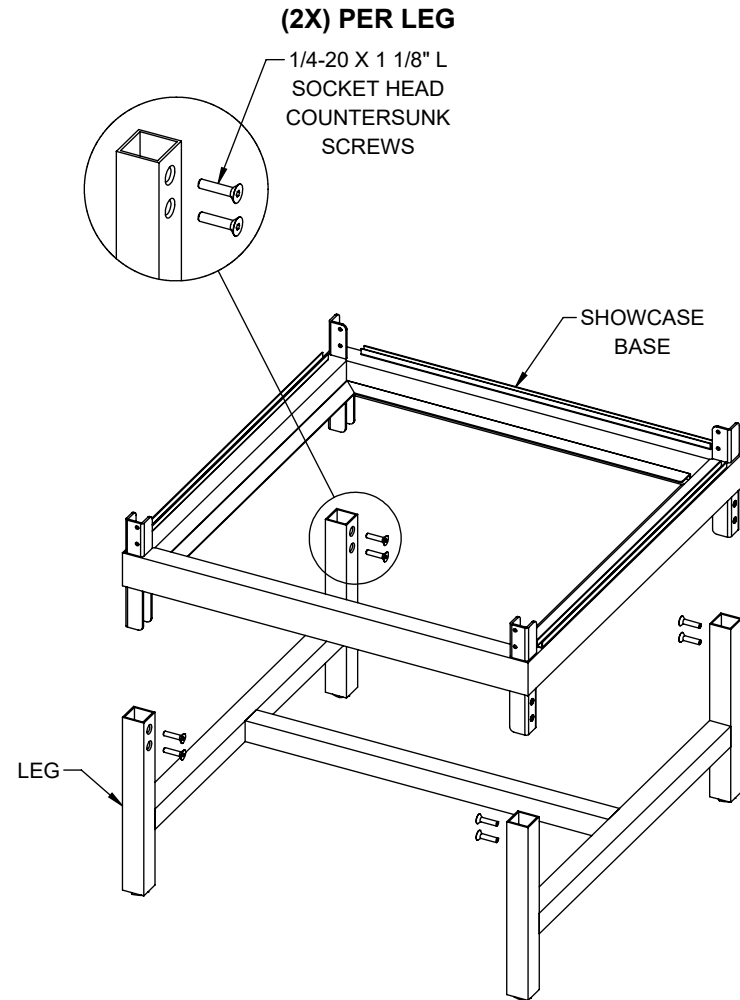
**2**

MOUNT THE (2) LEGS TOGETHER USING THE CROSSBAR.



**3**

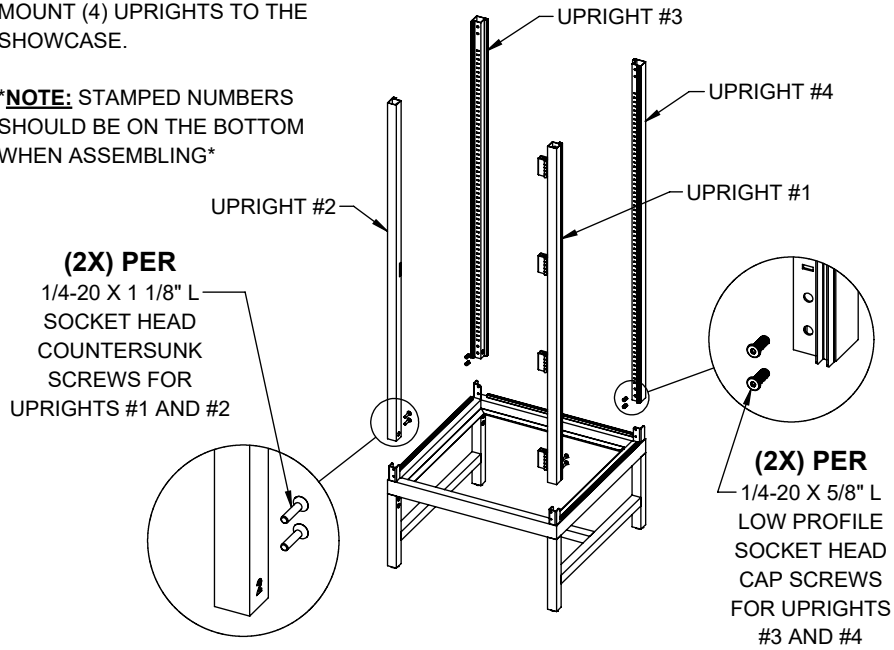
MOUNT SHOWCASE BASE TO THE LEGS.



# 4

MOUNT (4) UPRIGHTS TO THE SHOWCASE.

**\*NOTE:** STAMPED NUMBERS SHOULD BE ON THE BOTTOM WHEN ASSEMBLING\*

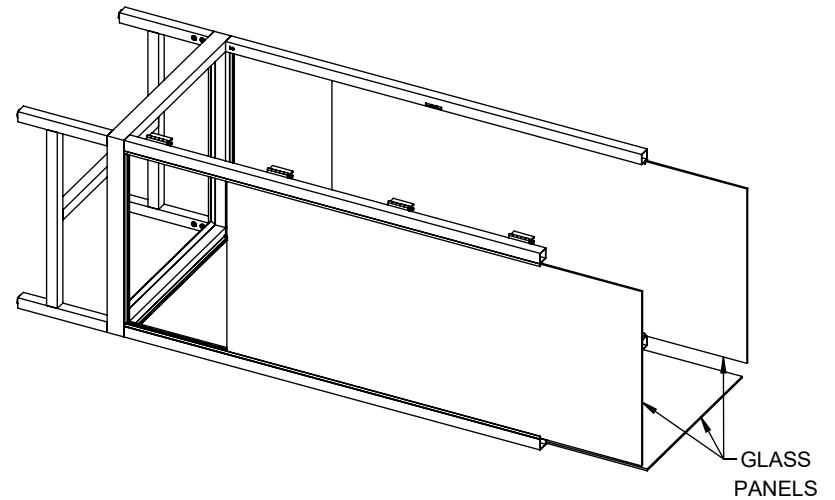


**\*NOTE:** MAKE SURE THAT THE WIRE THAT COMES OUT THE BOTTOM MOUSEHOLE OF UPRIGHT DOES NOT GET PINCHED ANYWHERE\*

# 5

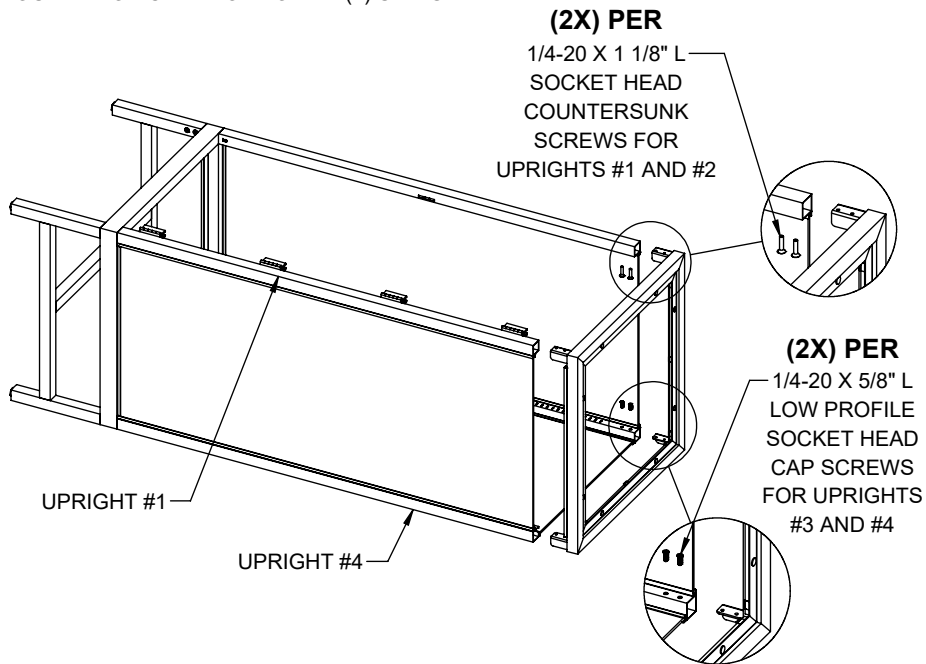
LAY THE FRAME ON ITS SIDE WITH THE **DOOR HINGES FACING UP**, AND CAREFULLY SLIDE IN THE GLASS PANELS.

**\*\*NOTE:** WE RECOMMEND LAYING SOMETHING ON THE FLOOR TO PROTECT THE FINISH OF THE SHOWCASE\*\*



6

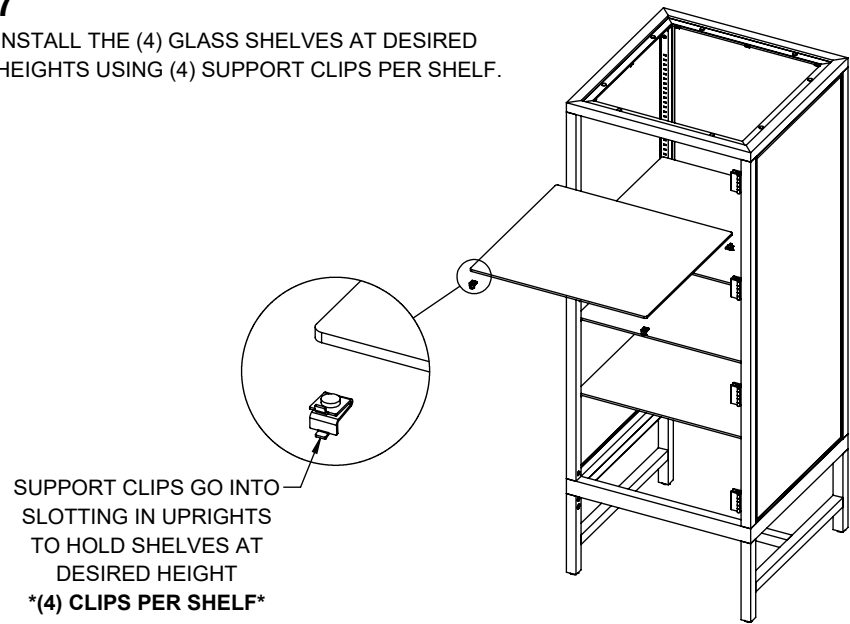
MOUNT SHOWCASE TOP TO THE (4) UPRIGHTS.



**\*NOTE:** MAKE SURE TO CONNECT THE TOP LEDS TO THE PRE-INSTALLED WIRE IN UPRIGHT #4. EXCESS WIRE CAN BE STUFFED INTO THE TUBE THROUGH THE MOUSEHOLE\*

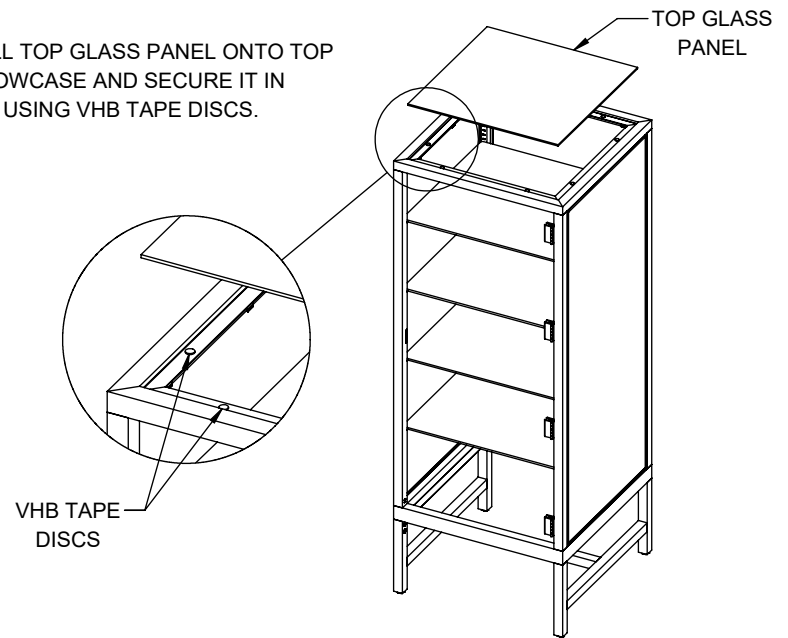
7

INSTALL THE (4) GLASS SHELVES AT DESIRED HEIGHTS USING (4) SUPPORT CLIPS PER SHELF.



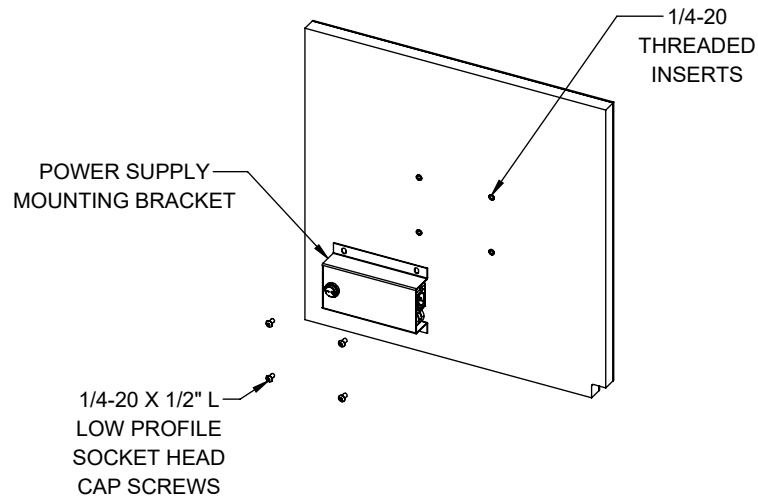
8

INSTALL TOP GLASS PANEL ONTO TOP OF SHOWCASE AND SECURE IT IN PLACE USING VHB TAPE DISCS.



# 9

MOUNT POWER SUPPLY MOUNTING BRACKET TO THE SHOWCASE FLOOR PANEL USING (4) 1/4-20 X 1/2" L LOW PROFILE SOCKET HEAD CAP SCREWS.

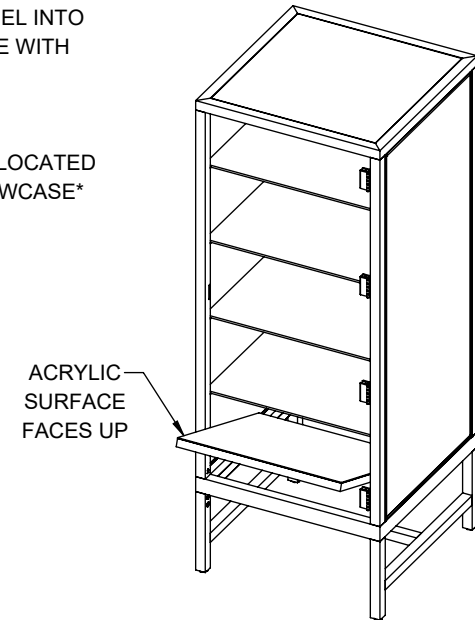


**\*NOTE:** WIRE WILL CONNECT TO THE WIRE AT THE BOTTOM OF UPRIGHT #4 WHEN INSTALLED\*

# 10

INSTALL SHOWCASE FLOOR PANEL INTO THE BOTTOM OF THE SHOWCASE WITH THE POWER SUPPLY MOUNTING BRACKET FACING THE DOWN.

**\*NOTE:** THE NOTCH SHOULD BE LOCATED IN THE BACK RIGHT OF THE SHOWCASE\*



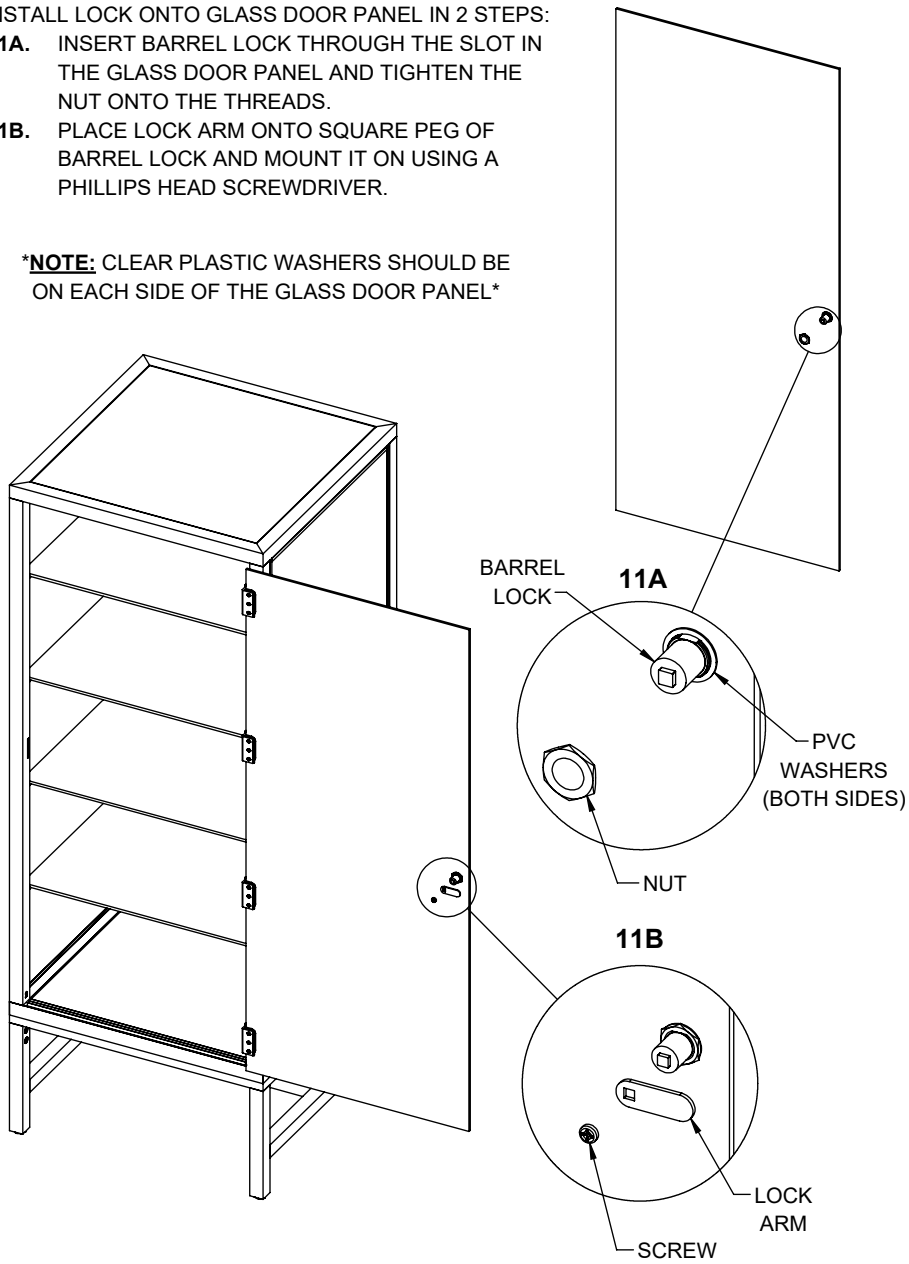
**\*NOTE:** MAKE SURE TO CONNECT THE WIRE FROM THE POWER SUPPLY TO THE WIRE COMING OUT THE BOTTOM OF UPRIGHT #4\*

# 11

INSTALL LOCK ONTO GLASS DOOR PANEL IN 2 STEPS:

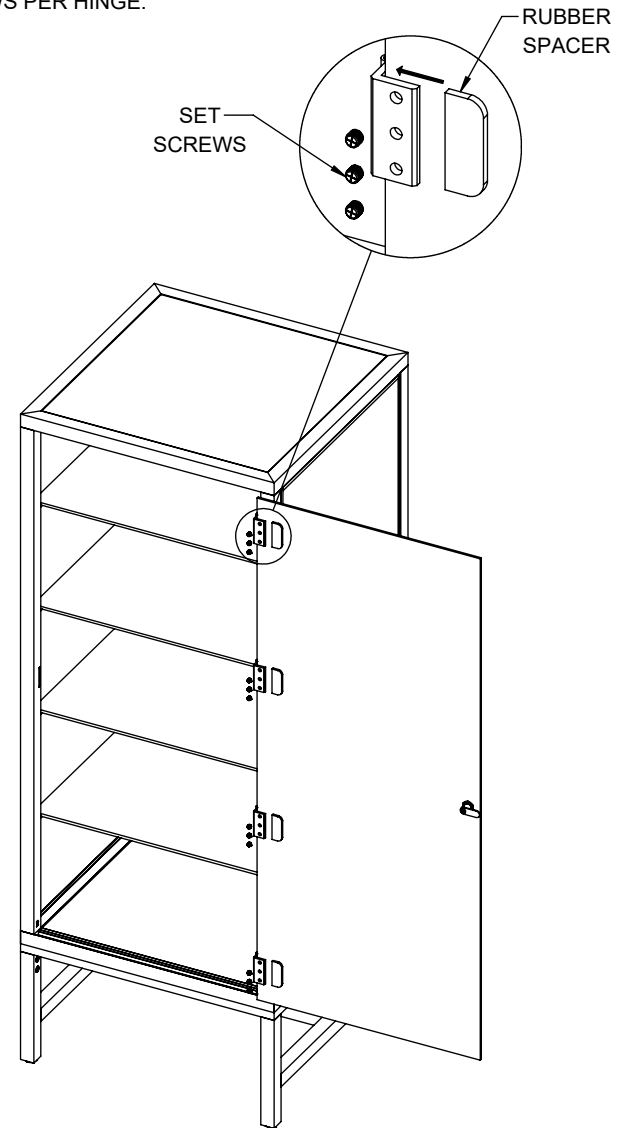
- 11A. INSERT BARREL LOCK THROUGH THE SLOT IN THE GLASS DOOR PANEL AND TIGHTEN THE NUT ONTO THE THREADS.
- 11B. PLACE LOCK ARM ONTO SQUARE PEG OF BARREL LOCK AND MOUNT IT ON USING A PHILLIPS HEAD SCREWDRIVER.

**\*NOTE:** CLEAR PLASTIC WASHERS SHOULD BE ON EACH SIDE OF THE GLASS DOOR PANEL\*



# 12

INSERT RUBBER SPACER BETWEEN THE HINGE AND THE GLASS DOOR PANEL. THEN, TIGHTEN USING (3) SET SCREWS PER HINGE.



# TROUBLE SHOOTING INSTRUCTIONS

## 1

CHECK CONNECTION BETWEEN LED LIGHTS AND WIRE INSIDE OF UPRIGHT #4 (CONNECTION FROM [STEP 6](#).)

TRY TURNING ON LIGHTS AGAIN. IF LIGHTS DO NOT TURN ON, GO TO NEXT STEP.

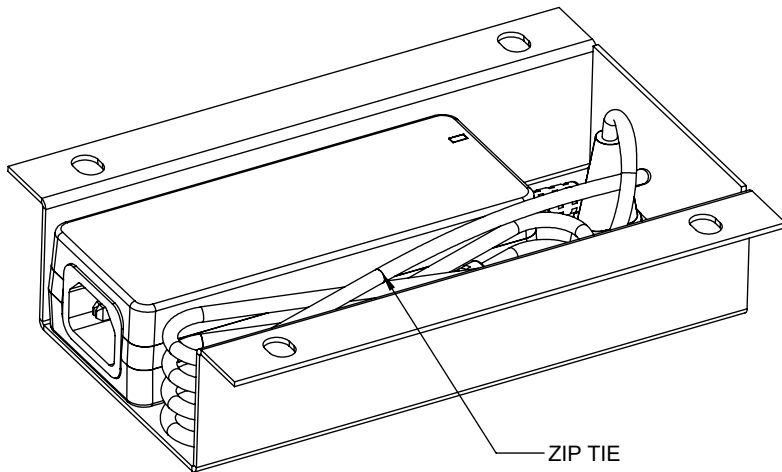
## 2

CHECK CONNECTION BETWEEN MOUNTING BRICK AND WIRE INSIDE OF UPRIGHT #4 (CONNECTION FROM [STEP 10](#).)

TRY TURNING ON LIGHTS AGAIN. IF LIGHTS DO NOT TURN ON, GO TO NEXT STEP.

## 3

UNMOUNT MOUNTING BRACKET.  
CUT ZIP TIE HOLDING BUNDLE OF WIRES TOGETHER.



## 4

UNPLUG AND RECONNECT THE POWER ADAPTER TO THE SWITCH.

TRY TURNING ON LIGHTS AGAIN. IF LIGHTS DO NOT TURN ON, PLEASE CONTACT SUPPLIER FOR REPLACEMENT PARTS.

