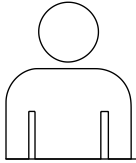
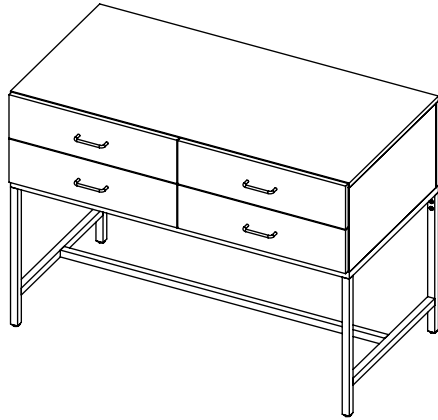


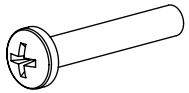
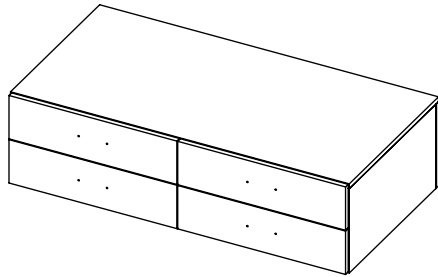
DISPLAY STORAGE CABINET

ITEM # DDKIT2
INCLUDES 2 CARTONS (A-B)

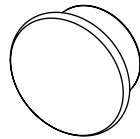


**2 PEOPLE
REQUIRED
FOR
ASSEMBLY**

STORAGE CABINET CARTON B



8X
#8-32 X 1" L
PAN CROSS HEAD
SCREWS

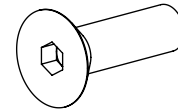
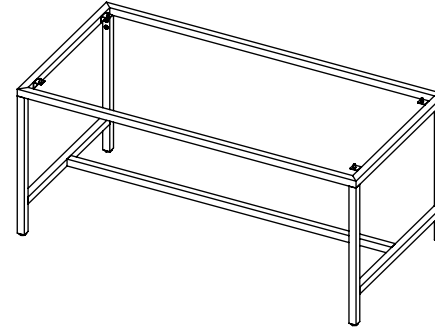


1X
MAGNET

FRAME

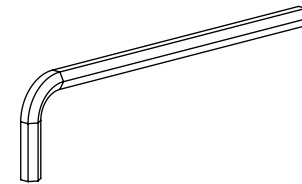
CARTON A:

- FRAME PIECES
- HARDWARE

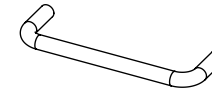


12X
1/4-20 X 0.875" L
CSK SOCKET HEAD SCREWS

4X
1/4-20 X 0.5" L
FLAT HEAD HEXAGON SOCKET SCREWS
(TO SECURE TO STORAGE CABINET)



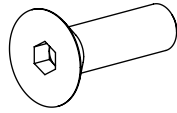
1X
ALLEN KEY



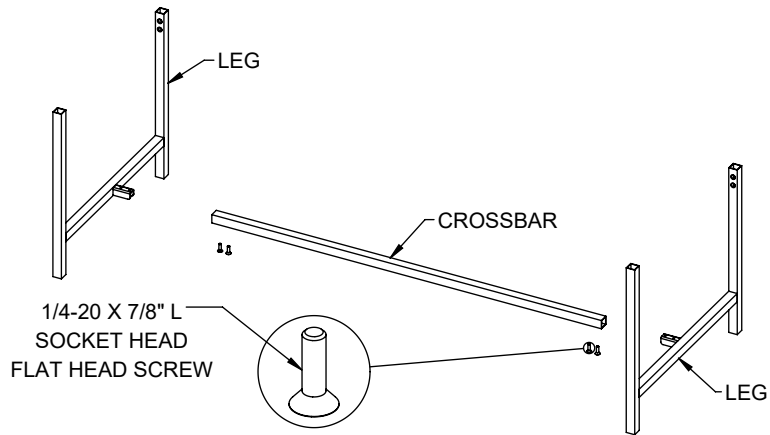
4X
PULL HANDLE

1

MOUNT THE CROSSBAR TO THE LEGS USING (4) 1/4-20 X 7/8" L SOCKET HEAD FLAT HEAD SCREWS.

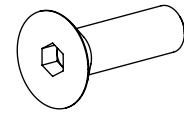


4X
1/4-20 X 7/8" L
SOCKET HEAD FLAT HEAD SCREWS

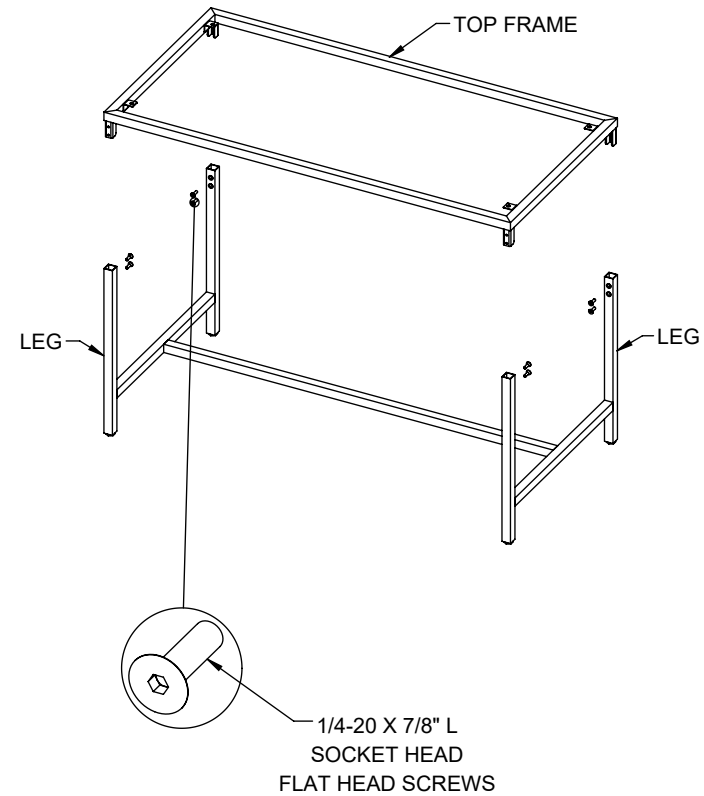


2

MOUNT THE TOP FRAME TO THE LEGS USING (8) 1/4-20 X 7/8" L SOCKET HEAD FLAT HEAD SCREWS.

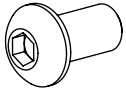


8X
1/4-20 X 7/8" L
SOCKET HEAD FLAT HEAD SCREWS

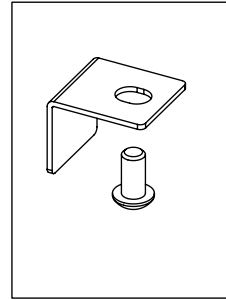


3

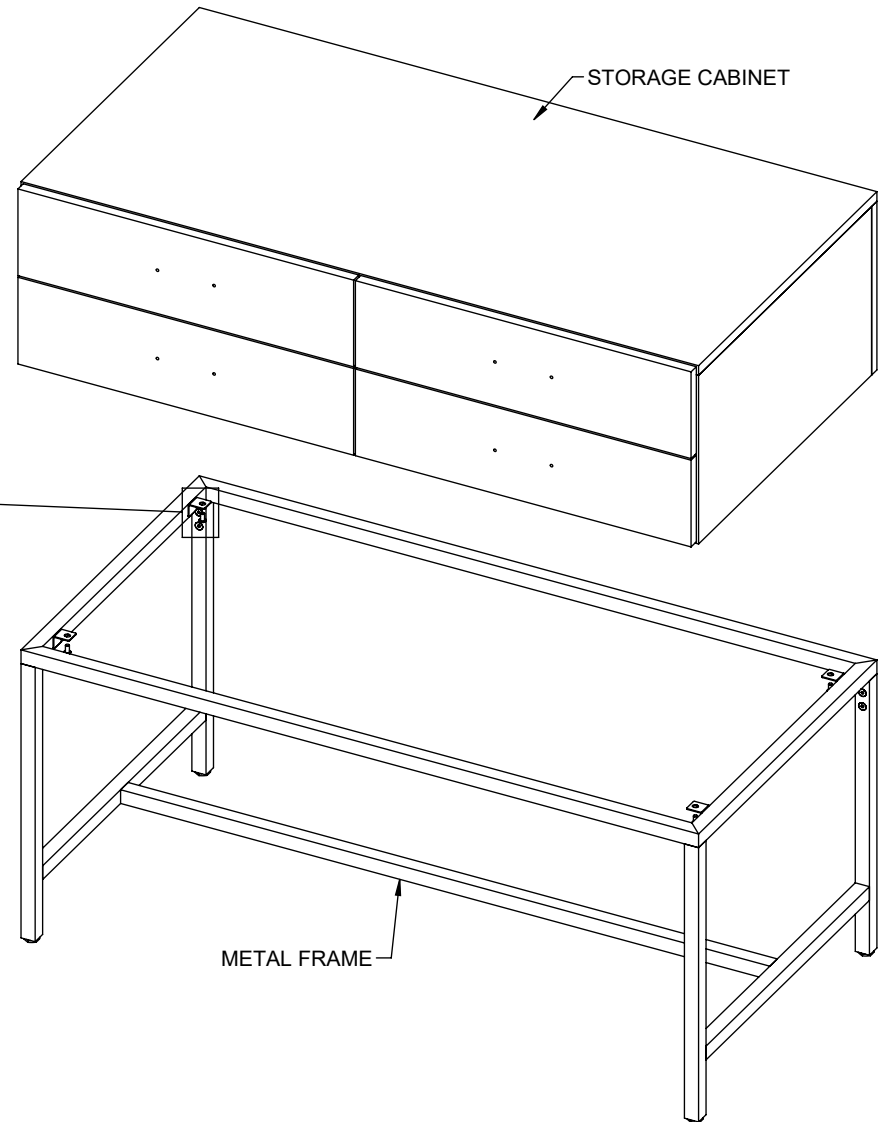
MOUNT STORAGE CABINET TO METAL FRAME.



4X
1/4-20 X 1/2" L
SOCKET HEAD CAP SCREWS

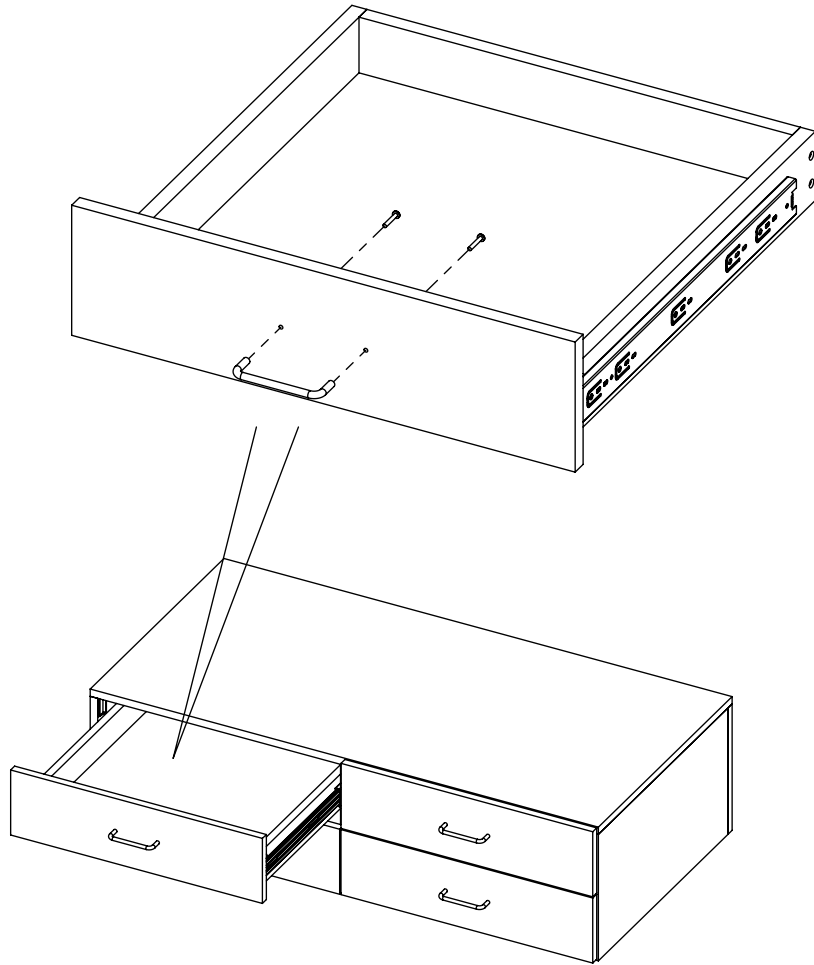


1/4-20 X 1/2" L
SOCKET HEAD
CAP SCREWS



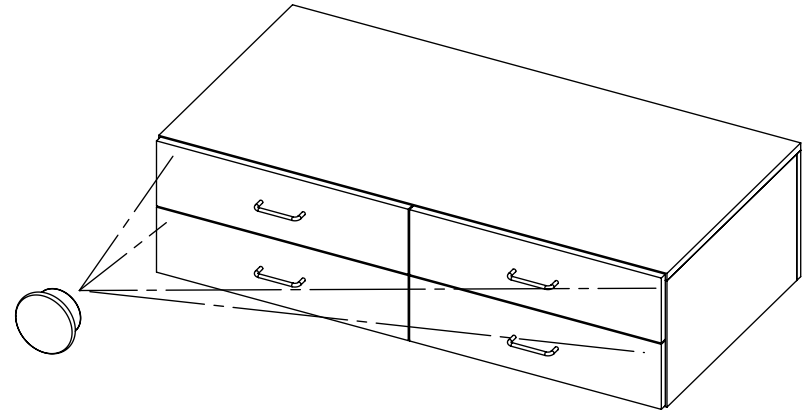
4

IF DRAWER HANDLES ARE NOT ALREADY
INSTALLED, INSTALL THE DRAWER HANDLES.



5

USE INCLUDED MAGNET TO OPEN THE
MAGNETIC LOCKS. THE MAGNETIC LOCKS
ARE LOCATED ON THE CORNERS OF EACH
DRAWER.



6

IF YOU PREFER KEEP THE DRAWERS
UNLOCKED AT ALL TIMES, PUSH LEVER
DOWN ON THE MAGNETIC LOCK.

