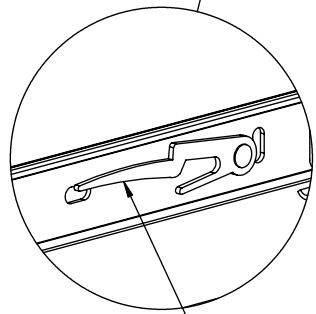
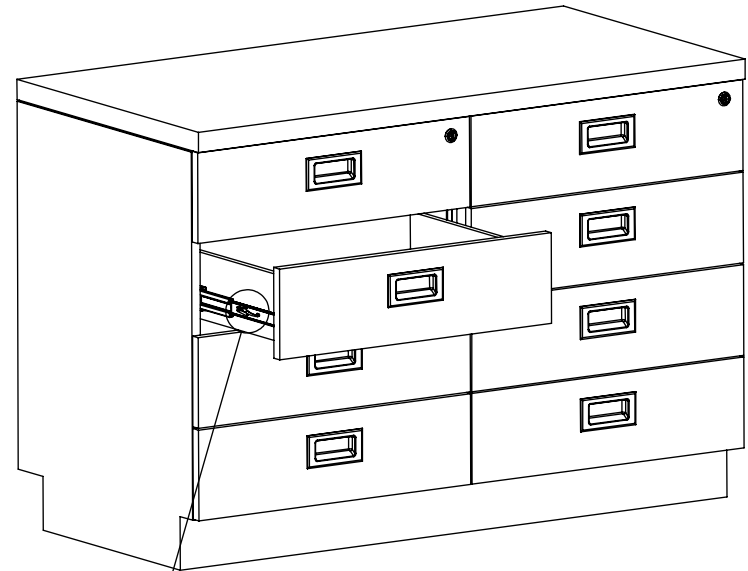
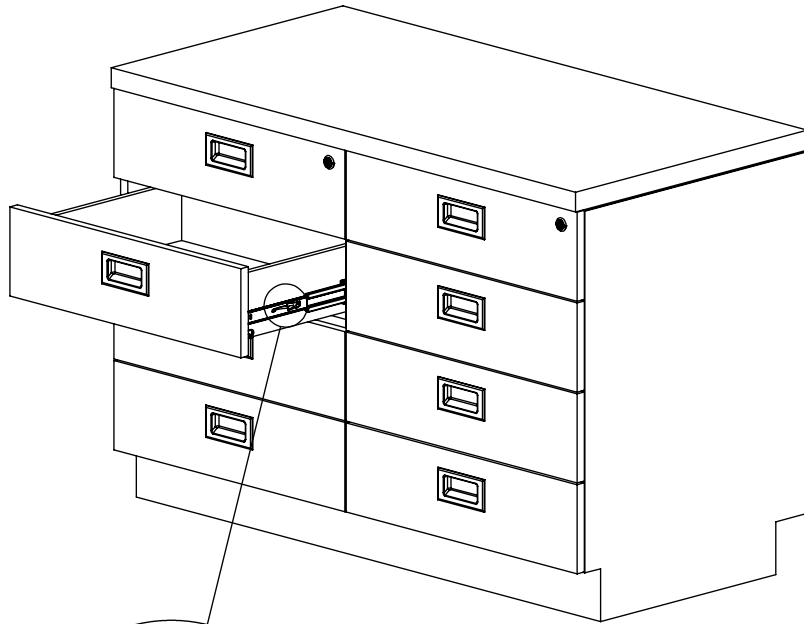


# CABINET WITH LOCKING DRAWERS ANCHORING OPTIONS

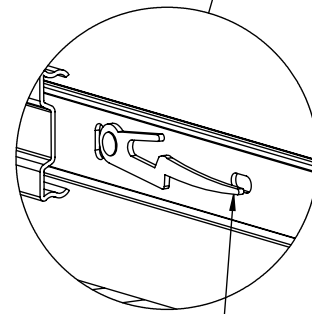
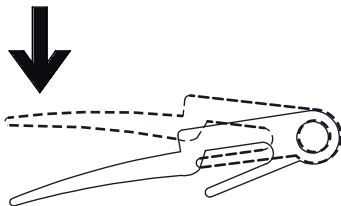
Item # DDCWDR(F)

## TO REMOVE DRAWERS:

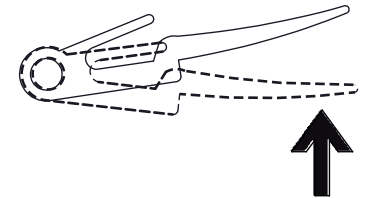
PUSH ON THE DRAWER GLIDE RELEASE LEVERS  
ON BOTH SIDES OF THE DRAWER TO REMOVE.



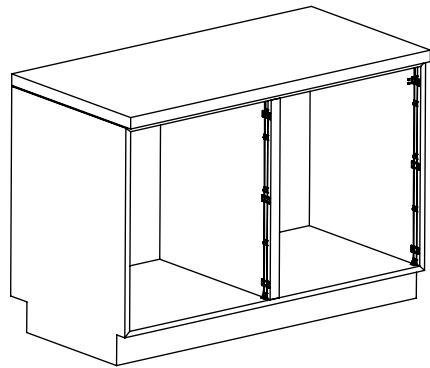
DRAWER GLIDE  
RELEASE LEVER



OPPOSITE LEVER WILL  
BE PUSHED IN  
OPPOSITE DIRECTION.



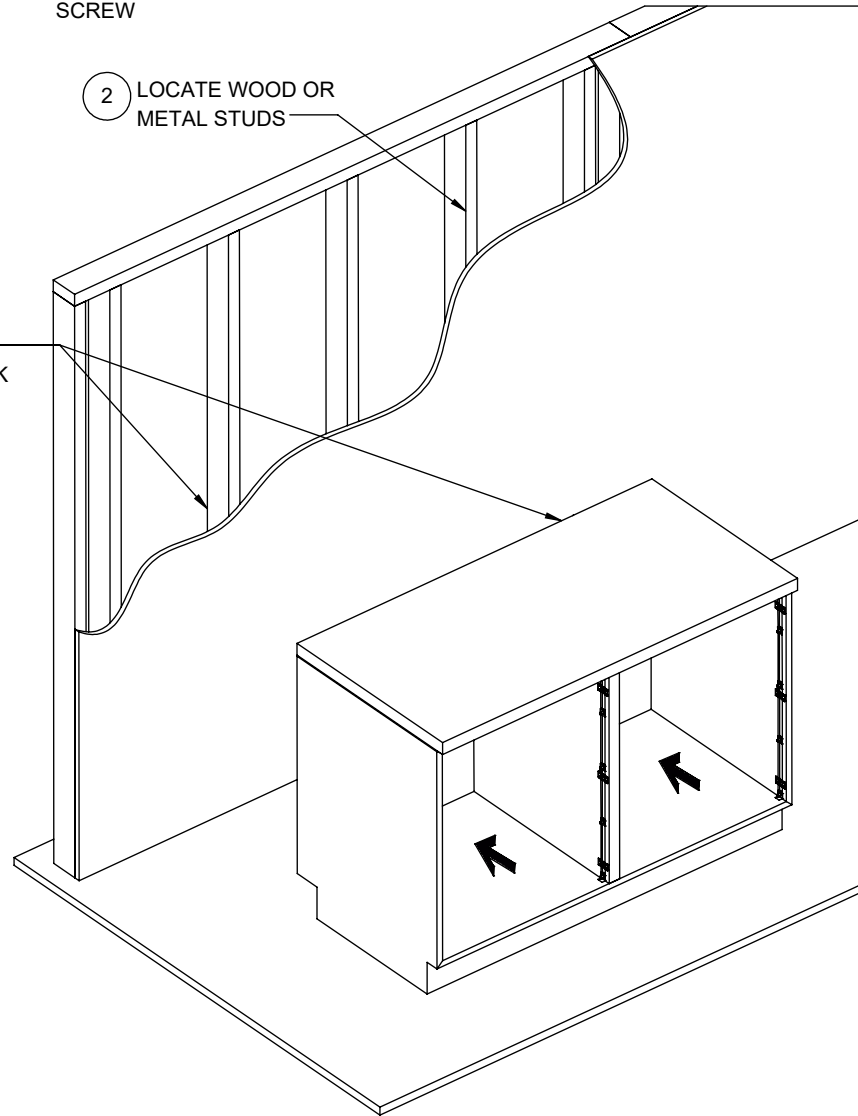
## ATTACHING THROUGH BACK:



1 ALL OUTER WALLS ARE 3/4" THICK MDF AND CAN BE USED TO ANCHOR WITH WOOD SCREW

2 LOCATE WOOD OR METAL STUDS

3 IN THE DESIRED LOCATION, SCREW THROUGH THE BACK WALL OF THE CABINET INTO WALL STUDS.



## SAFETY NOTE

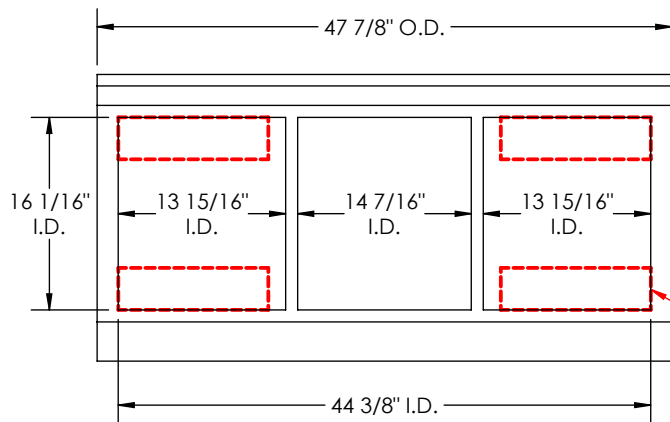
TO PREVENT ACCIDENTAL TIPPING, WE STRONGLY RECOMMEND THIS PRODUCT BE ANCHORED TO THE FLOOR OR WALL. IT IS THE CONSUMER'S RESPONSIBILITY TO ENSURE THIS UNIT IS INSTALLED ACCORDING TO ALL APPLICABLE REGULATIONS AND USED IN A SAFE MANNER CONSISTENT WITH ITS INTENDED PURPOSE.

FOR WOOD STUDS, USE WOOD SCREWS

FOR METAL STUDS, USE SELF TAPPING SHEET METAL SCREWS

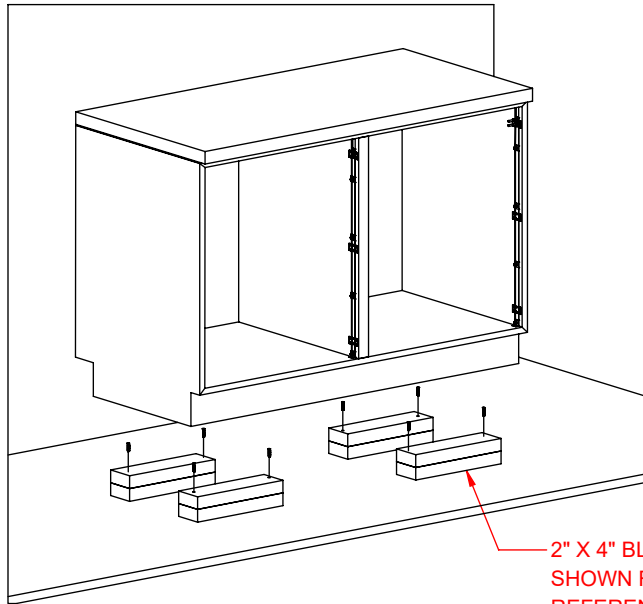
FOR BRICK, CINDER BLOCKS, OR SIMILAR MATERIALS, USE APPROPRIATE MASONRY FASTENERS

## ATTACHING INTO FLOOR:

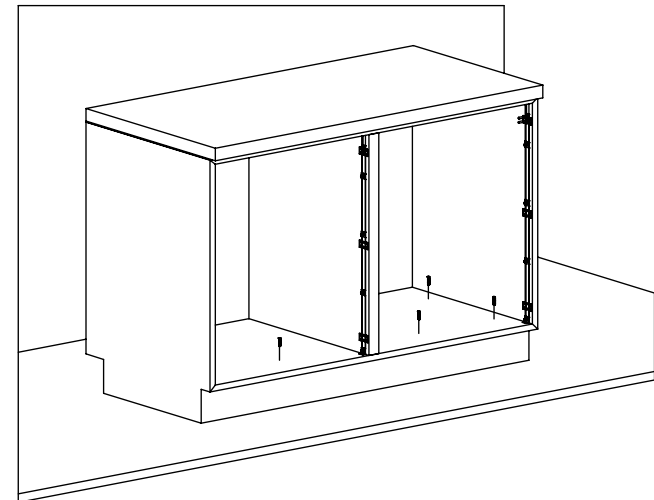


1 DIMENSIONS OF CABINET BASE ARE SHOWN TO HELP PLAN BLOCKING ANCHOR PLACEMENT.

2" X 4" CUT TO A MAXIMUM OF 12 1/2" LONG



2 ANCHOR BLOCKING TO FLOOR WITH APPROPRIATE HARDWARE.

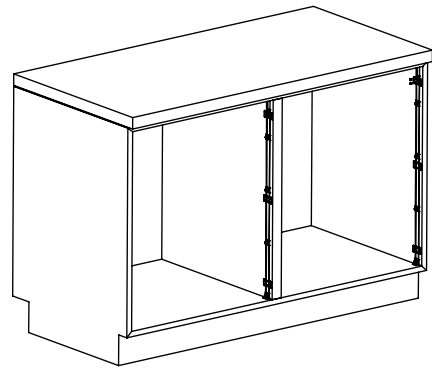


3 SECURE CABINET TO BLOCKING THROUGH THE TOE KICK.

## SAFETY NOTE

TO PREVENT ACCIDENTAL TIPPING, WE STRONGLY RECOMMEND THIS PRODUCT BE ANCHORED TO THE FLOOR OR WALL. IT IS THE CONSUMER'S RESPONSIBILITY TO ENSURE THIS UNIT IS INSTALLED ACCORDING TO ALL APPLICABLE REGULATIONS AND USED IN A SAFE MANNER CONSISTENT WITH ITS INTENDED PURPOSE.

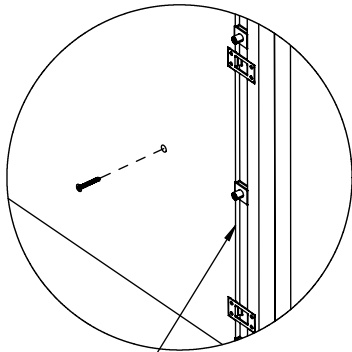
## ATTACHING THROUGH SIDES:



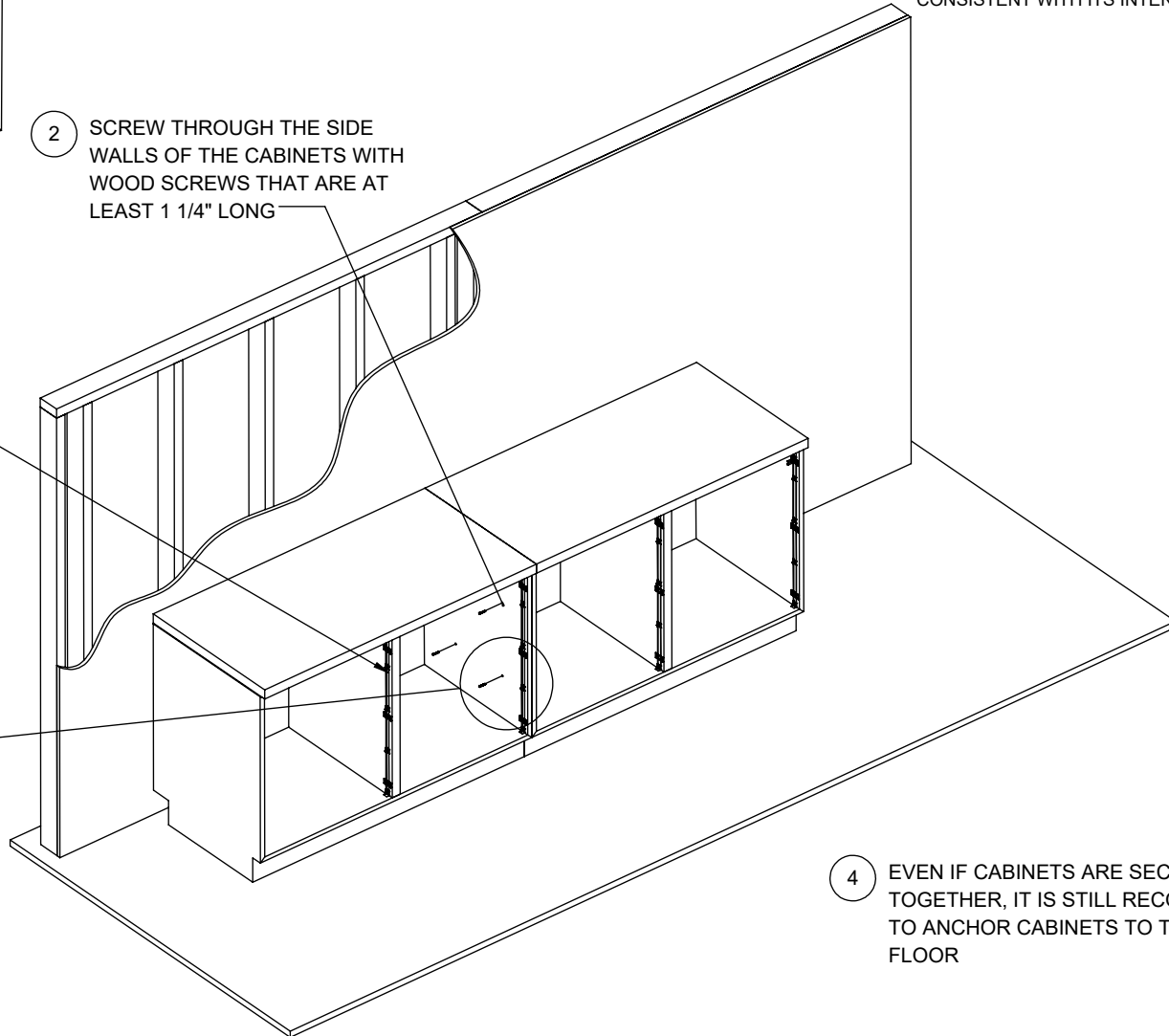
1 ALL OUTER WALLS ARE 3/4" THICK MDF AND CAN BE USED TO ANCHOR WITH WOOD SCREW

2 SCREW THROUGH THE SIDE WALLS OF THE CABINETS WITH WOOD SCREWS THAT ARE AT LEAST 1 1/4" LONG

3 BE SURE TO AVOID THE "GANG LOCK HARDWARE"



GANG LOCK HARDWARE



4 EVEN IF CABINETS ARE SECURED TOGETHER, IT IS STILL RECOMMENDED TO ANCHOR CABINETS TO THE WALL OR FLOOR

## SAFETY NOTE

TO PREVENT ACCIDENTAL TIPPING, WE STRONGLY RECOMMEND THIS PRODUCT BE ANCHORED TO THE FLOOR OR WALL. IT IS THE CONSUMER'S RESPONSIBILITY TO ENSURE THIS UNIT IS INSTALLED ACCORDING TO ALL APPLICABLE REGULATIONS AND USED IN A SAFE MANNER CONSISTENT WITH ITS INTENDED PURPOSE.