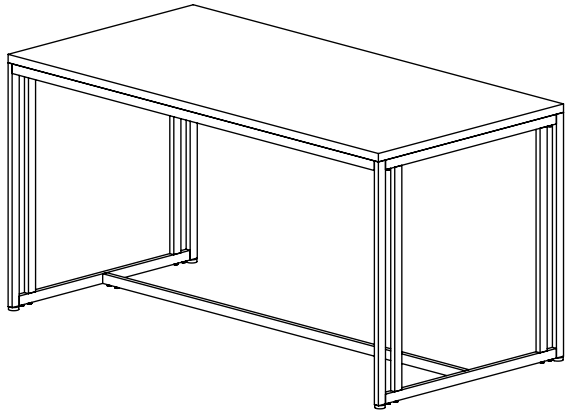
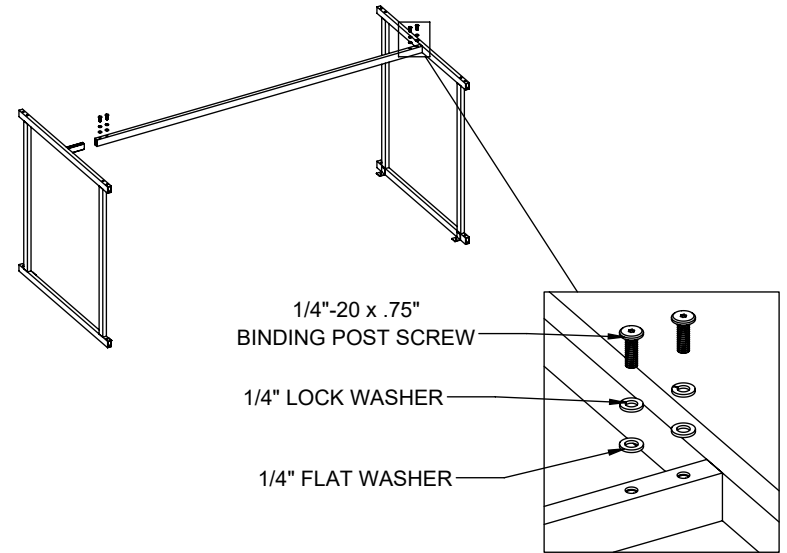


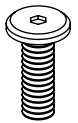
**ASSEMBLY INSTRUCTIONS FOR:
BQNTL, BQNTS**



1

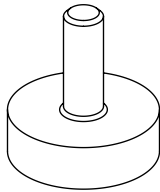


INCLUDED HARDWARE



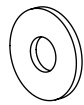
16X

1/4"-20 x .75"
BINDING POST SCREW



4X

5/16"-18 x 1"
NYLON LEVELER



18X

1/4"
FLAT WASHER



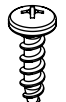
1X

ALLEN KEY



2X

1/4"-20 x 1/2"
BINDING POST SCREW



4X

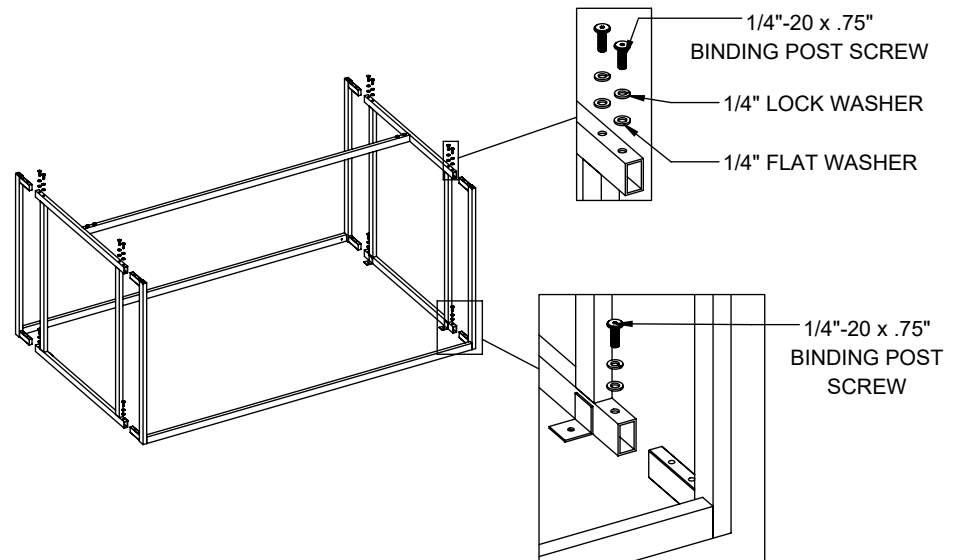
#10 x 3/4"
PAN CROSS HEAD
WOOD SCREWS



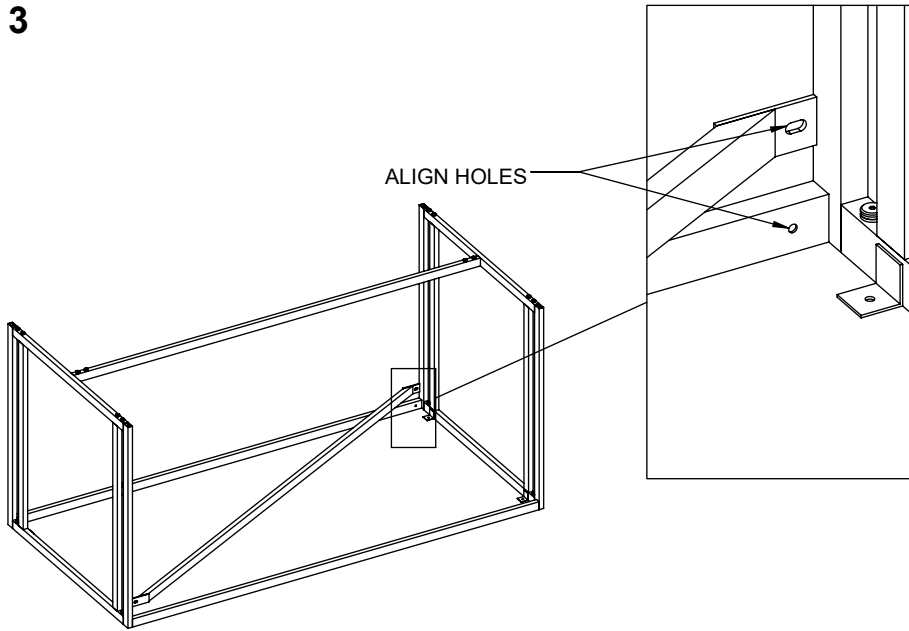
18X

1/4"
LOCK WASHER

2



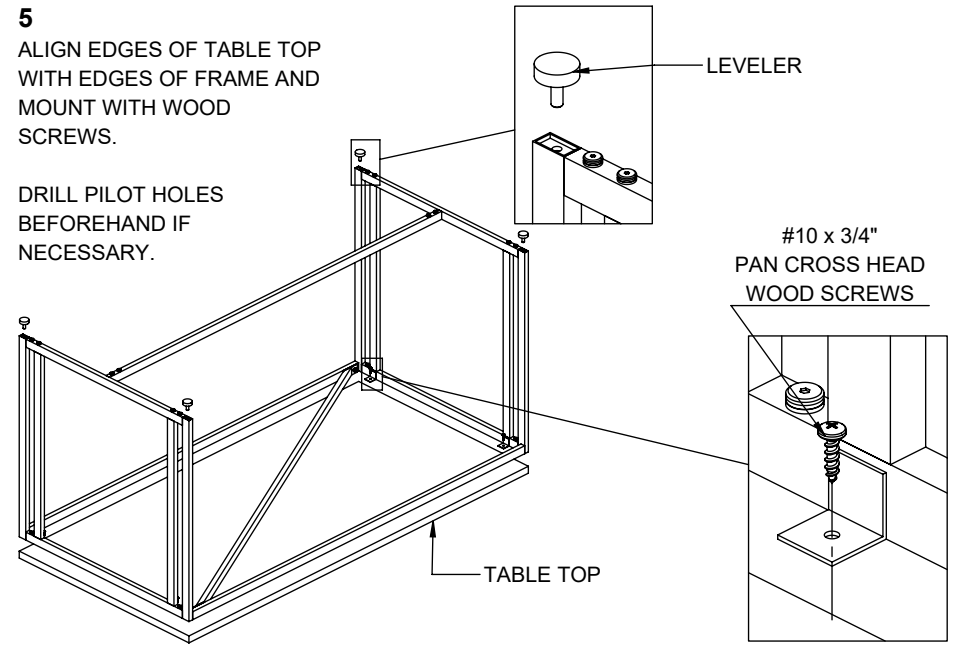
3



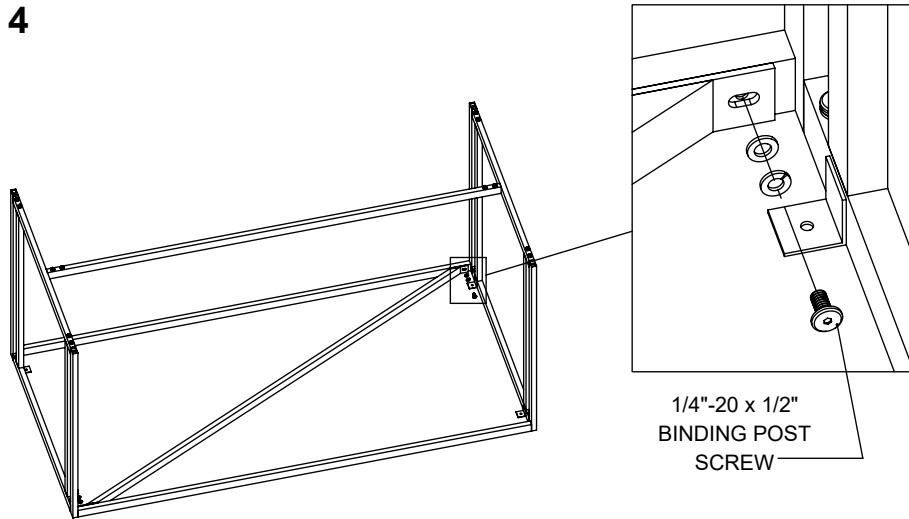
5

ALIGN EDGES OF TABLE TOP WITH EDGES OF FRAME AND MOUNT WITH WOOD SCREWS.

DRILL PILOT HOLES BEFOREHAND IF NECESSARY.



4



6

FLIP OVER TABLE.
ASSEMBLY IS COMPLETE.

