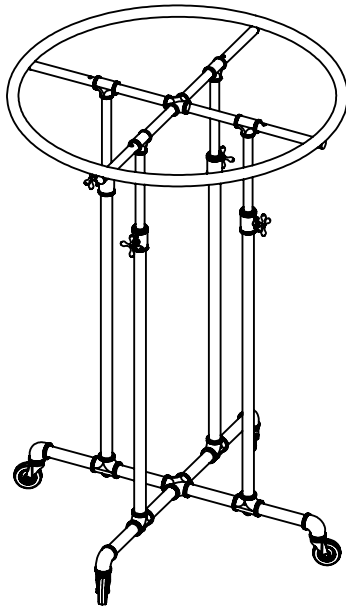
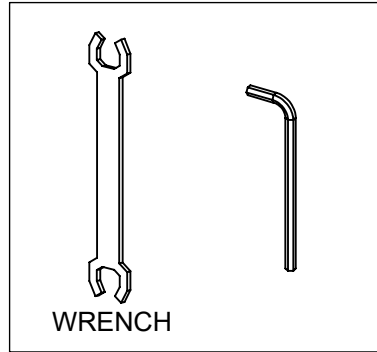


**ASSEMBLY INSTRUCTIONS:
PSRD36**

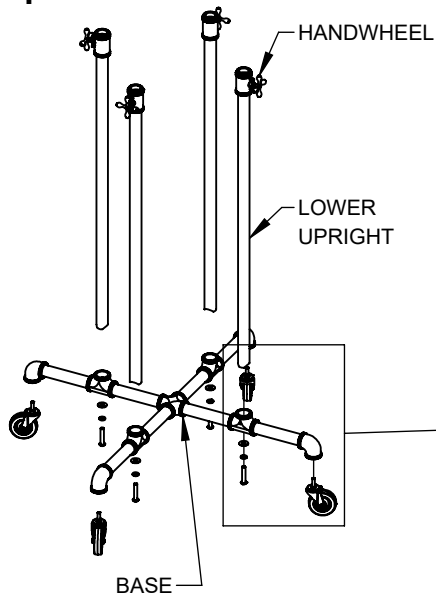


INCLUDED TOOLS



WRENCH

1



- SECURE EACH LOWER UPRIGHT TO THE BASE WITH A SCREW, LOCK WASHER, AND WASHER AS SHOWN.

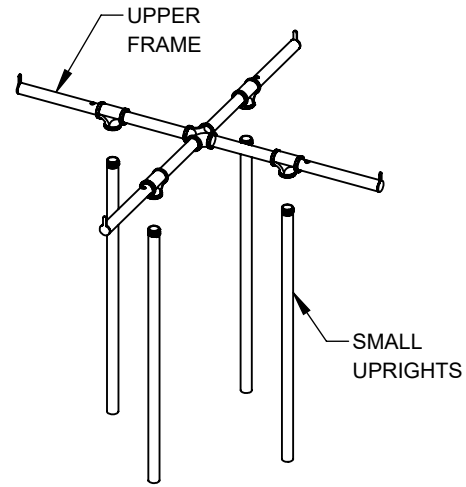
- **NOTE: ADJUSTABLE HANDWHEELS SHOULD BE FACING OUTWARD.**

- THREAD THE CASTERS INTO THE BASE FEET AND TIGHTEN WITH WRENCH.

BASE FEET

WASHER
LOCK WASHER
SCREW

2

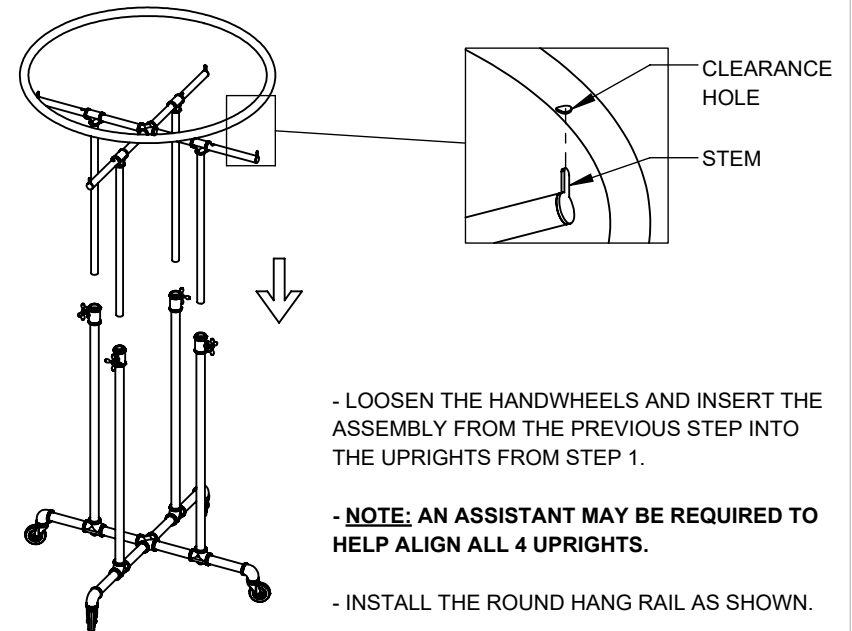


- THREAD THE SMALL UPRIGHTS INTO THE UPPER FRAME.

- TIGHTEN EACH UPRIGHT AS MUCH AS POSSIBLE.

SMALL UPRIGHTS

3



- LOOSEN THE HANDWHEELS AND INSERT THE ASSEMBLY FROM THE PREVIOUS STEP INTO THE UPRIGHTS FROM STEP 1.

- **NOTE: AN ASSISTANT MAY BE REQUIRED TO HELP ALIGN ALL 4 UPRIGHTS.**

- INSTALL THE ROUND HANG RAIL AS SHOWN.