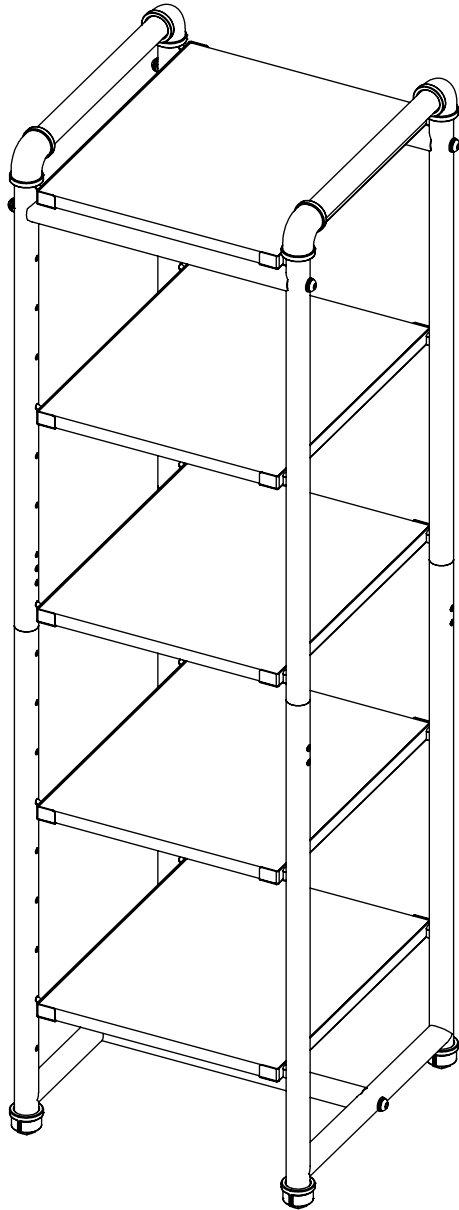
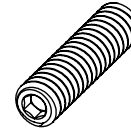


PIPELINE ETAGERE

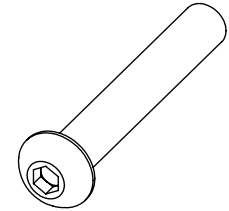
PSETG



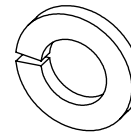
INCLUDED HARDWARE



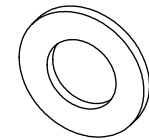
16X
1/4"-20 x 1" L
SET SCREW



6X
3/8-16 X 2.5" L SOCKET BUTTON
HEAD CAP SCREW

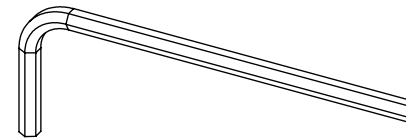


6X
3/8" LOCK WASHER



6X
3/8" FLAT WASHER

TOOLS REQUIRED



LARGE ALLEN KEY

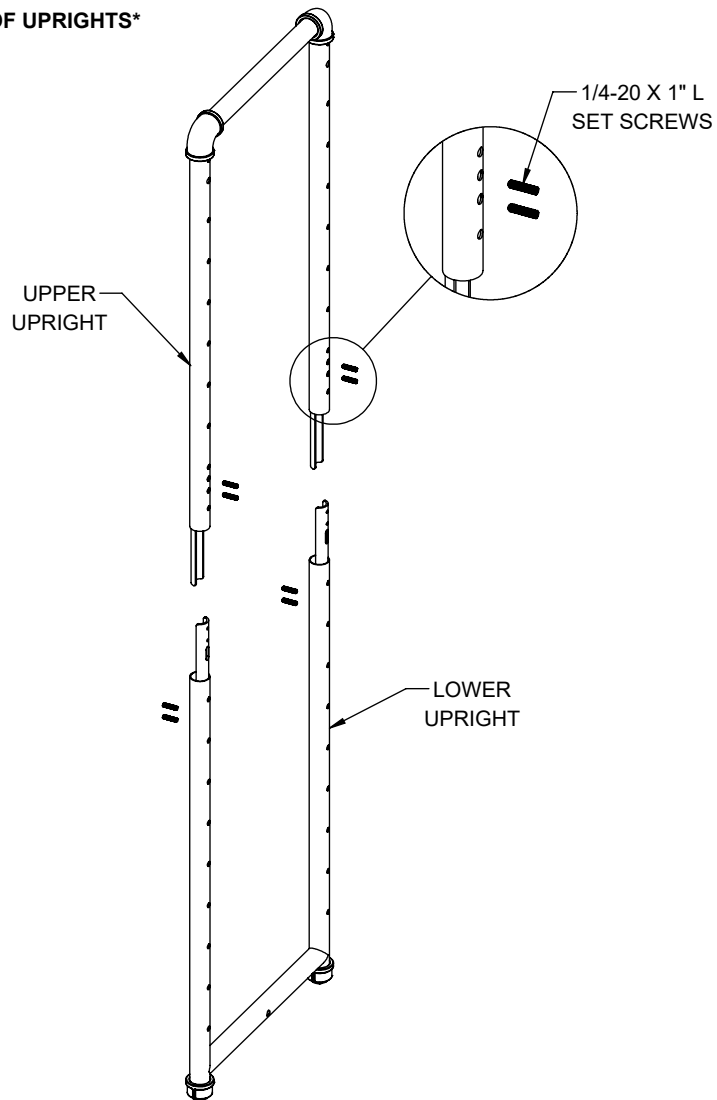


SMALL ALLEN KEY

1

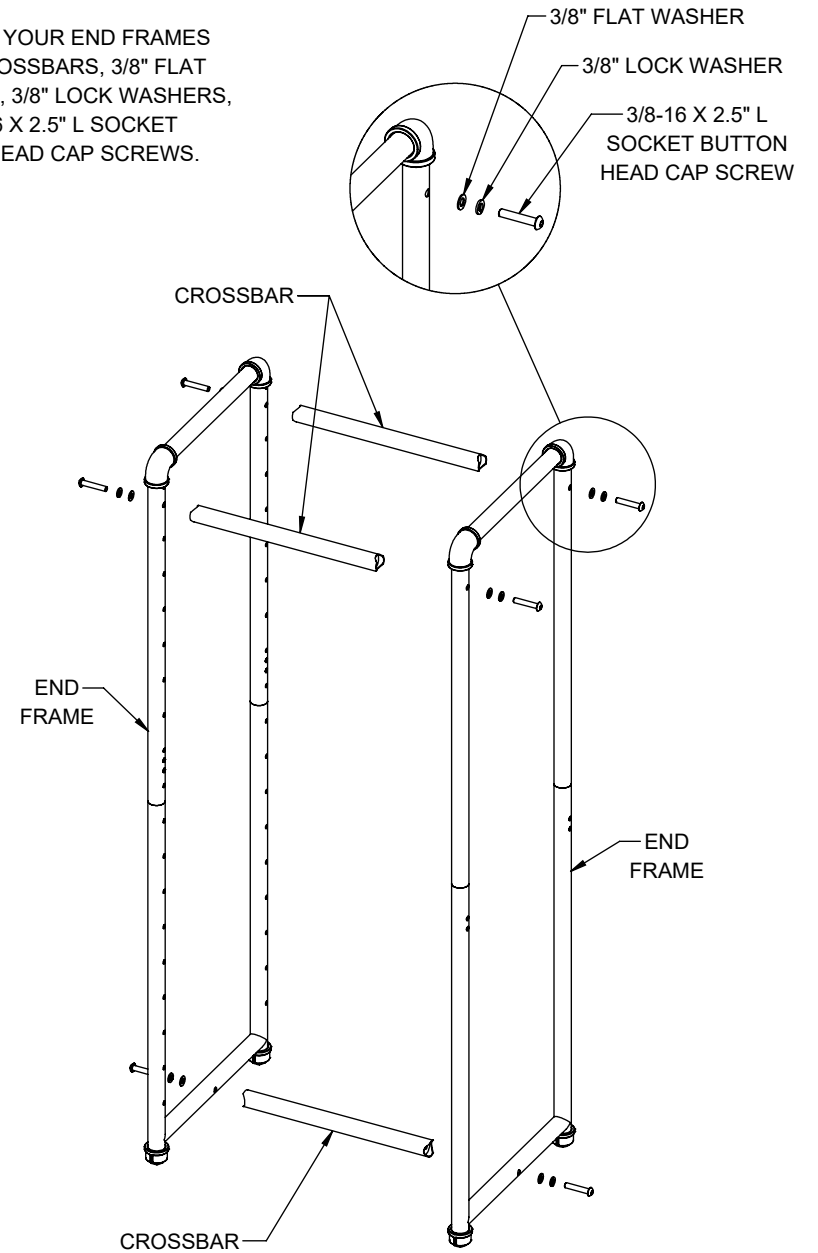
MOUNT LOWER UPRIGHT TO UPPER UPRIGHT USING 1/4-20 X 1" L SET SCREWS.

REPEAT THIS STEP WITH OTHER SET OF UPRIGHTS



2

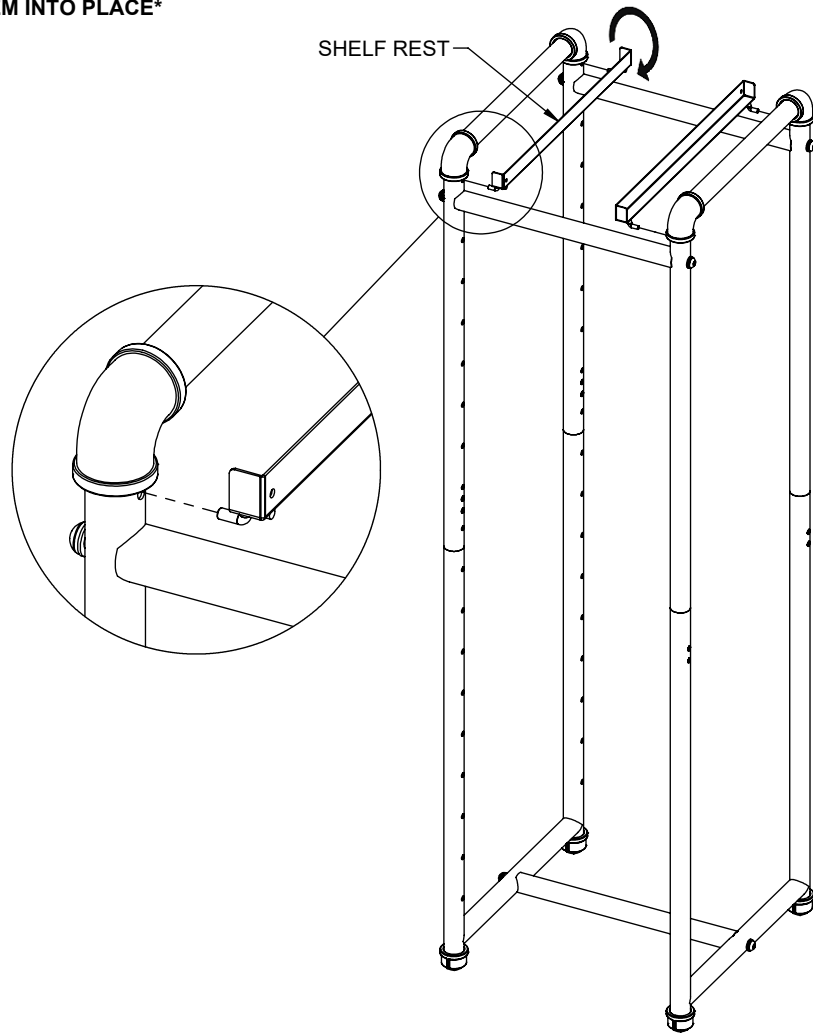
CONNECT YOUR END FRAMES USING CROSSBARS, 3/8" FLAT WASHERS, 3/8" LOCK WASHERS, AND 3/8-16 X 2.5" L SOCKET BUTTON HEAD CAP SCREWS.



3

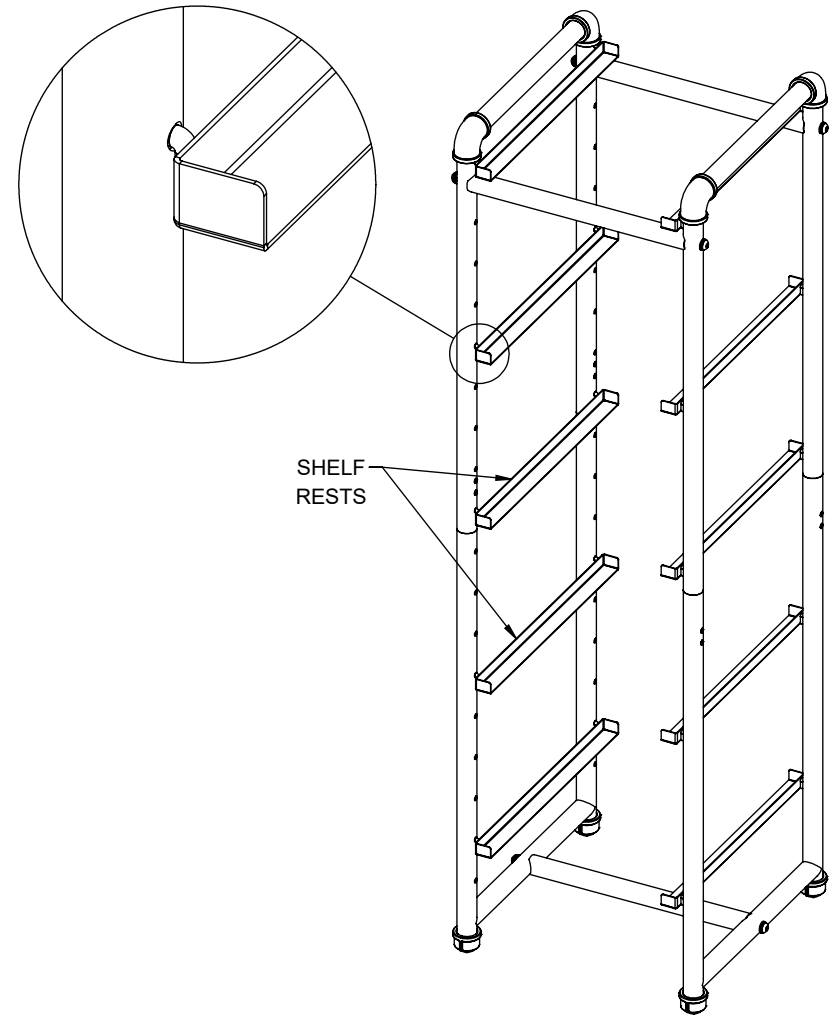
MOUNT SHELF RESTS IN THE TOP HOLES OF THE UPRIGHTS ABOVE THE UPPER CROSSBARS.

NOTE: THE SHELF RESTS MUST BE ANGLED INTO THE HOLES, AND THEN ROTATED DOWN TO LOCK THEM INTO PLACE



4

MOUNT THE REMAINING SHELF RESTS AT THE DESIRED HEIGHTS FOLLOWING THE SAME DIRECTIONS AS SHOWN IN STEP 3.



5

PLACE WOODEN SHELF PANELS
ONTO SHELF RESTS.

ASSEMBLY IS NOW COMPLETE

