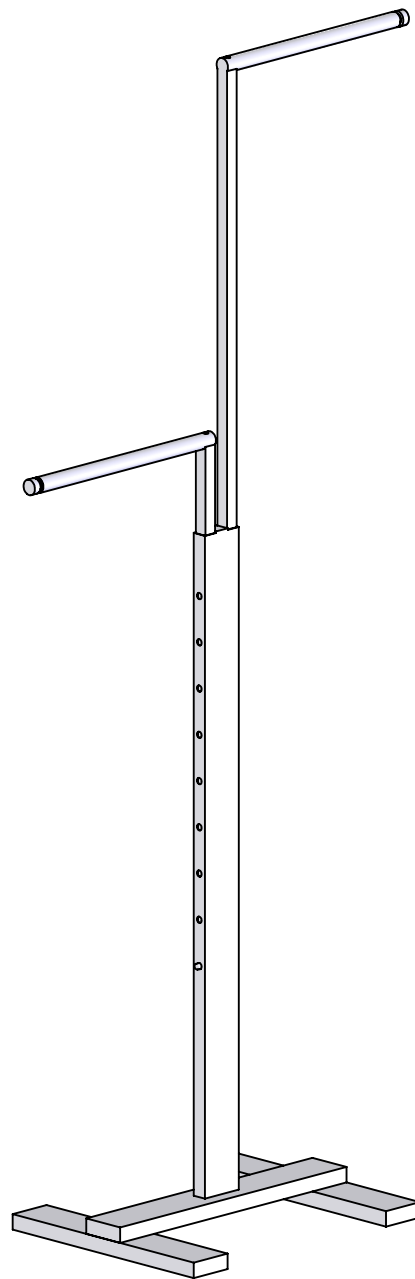


3/8-16 x 2"L SOCKET BUTTON  
HEAD CAP SCREW w/  
3/8" B TYPE FLAT WASHER AND  
3/8" SPRING LOCK WASHER  
2 REQD PER ASSEMBLY



ASSEMBLY EXPLODED



ASSEMBLY