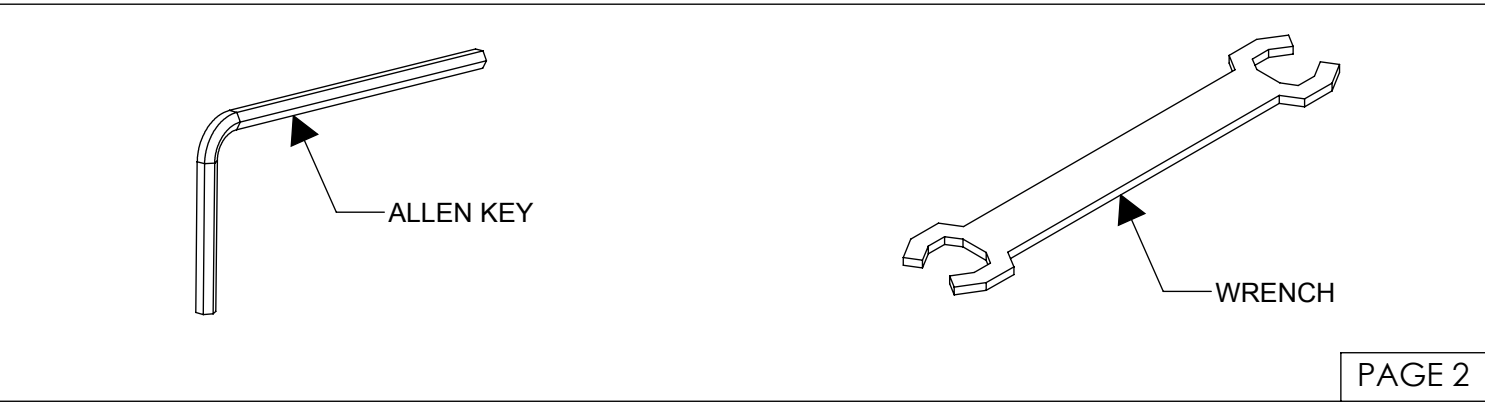
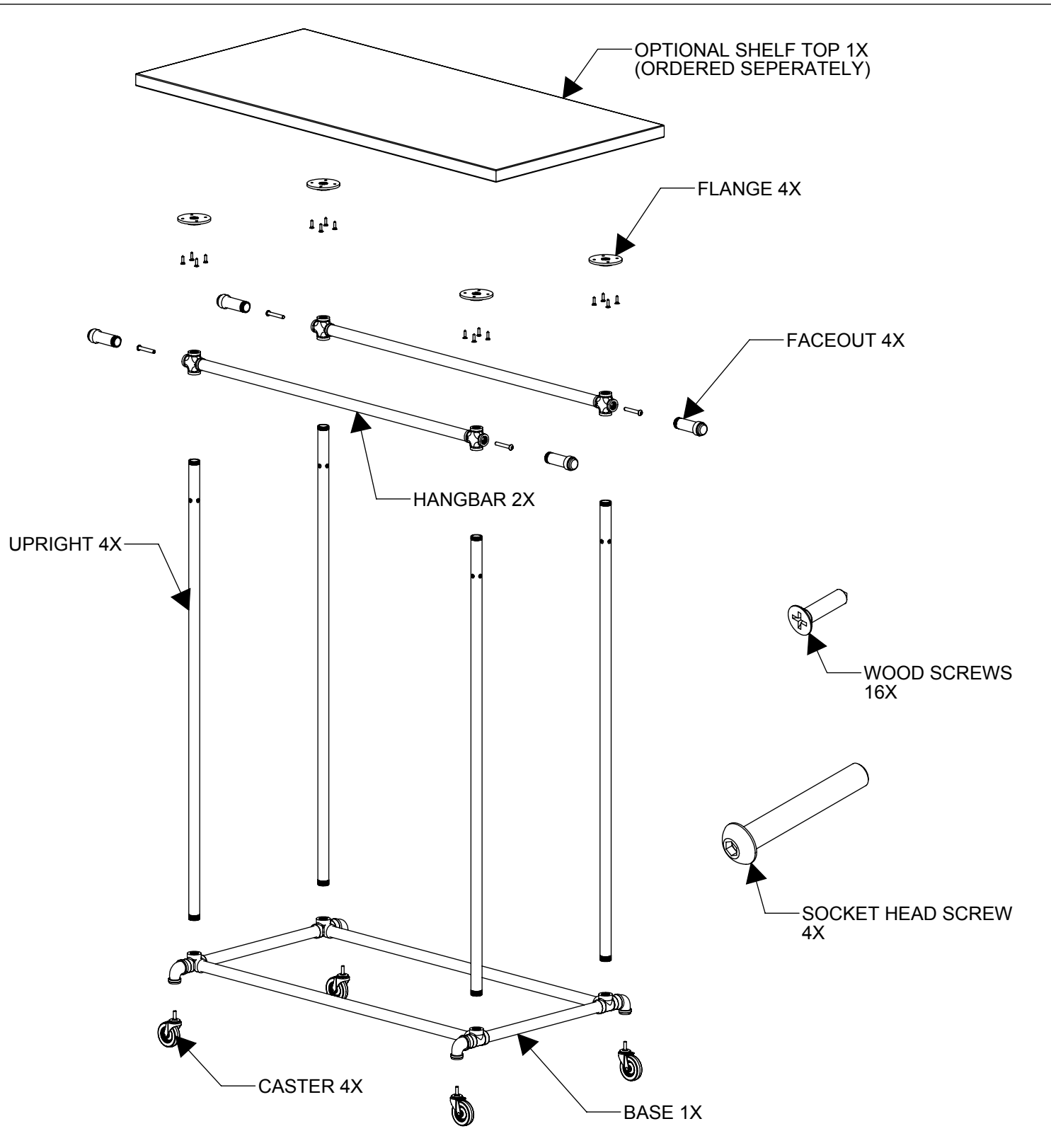
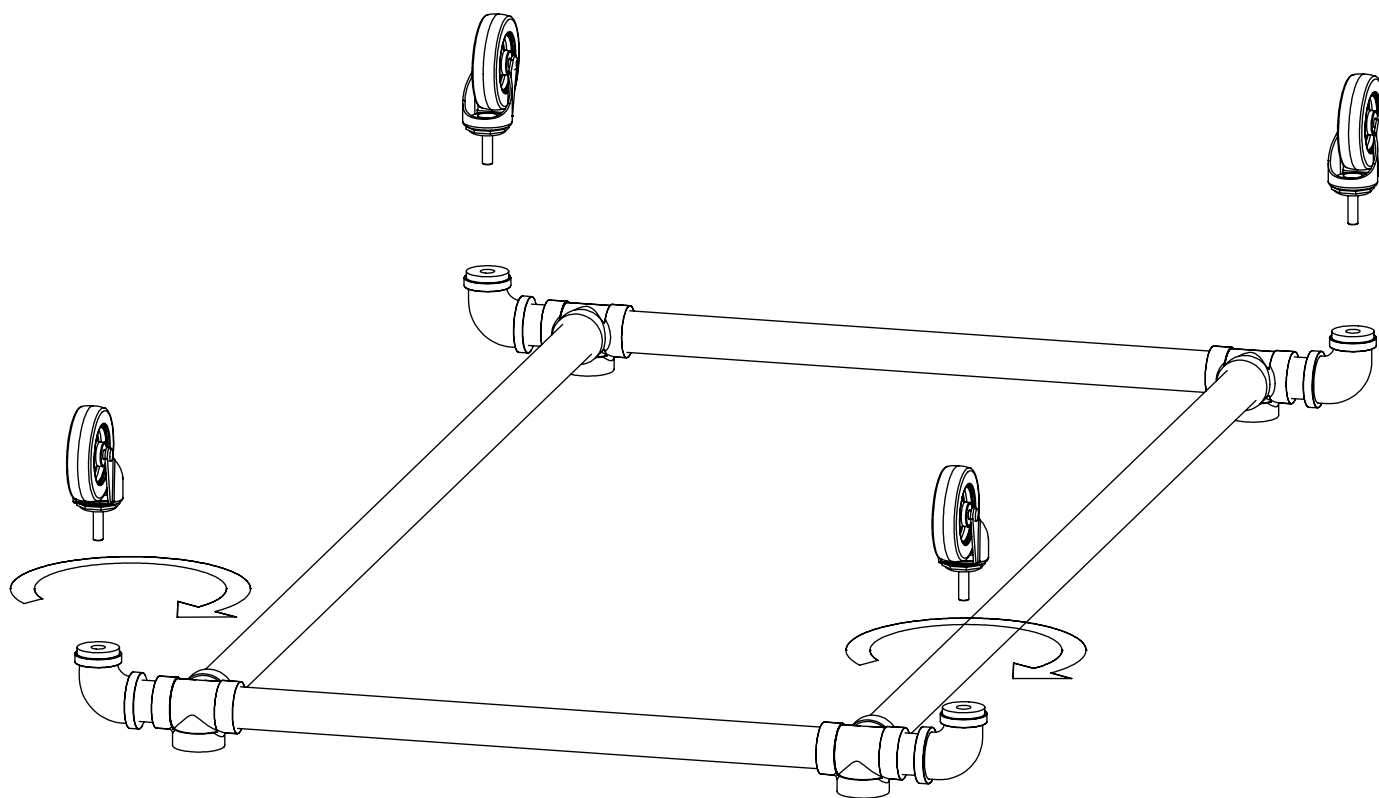


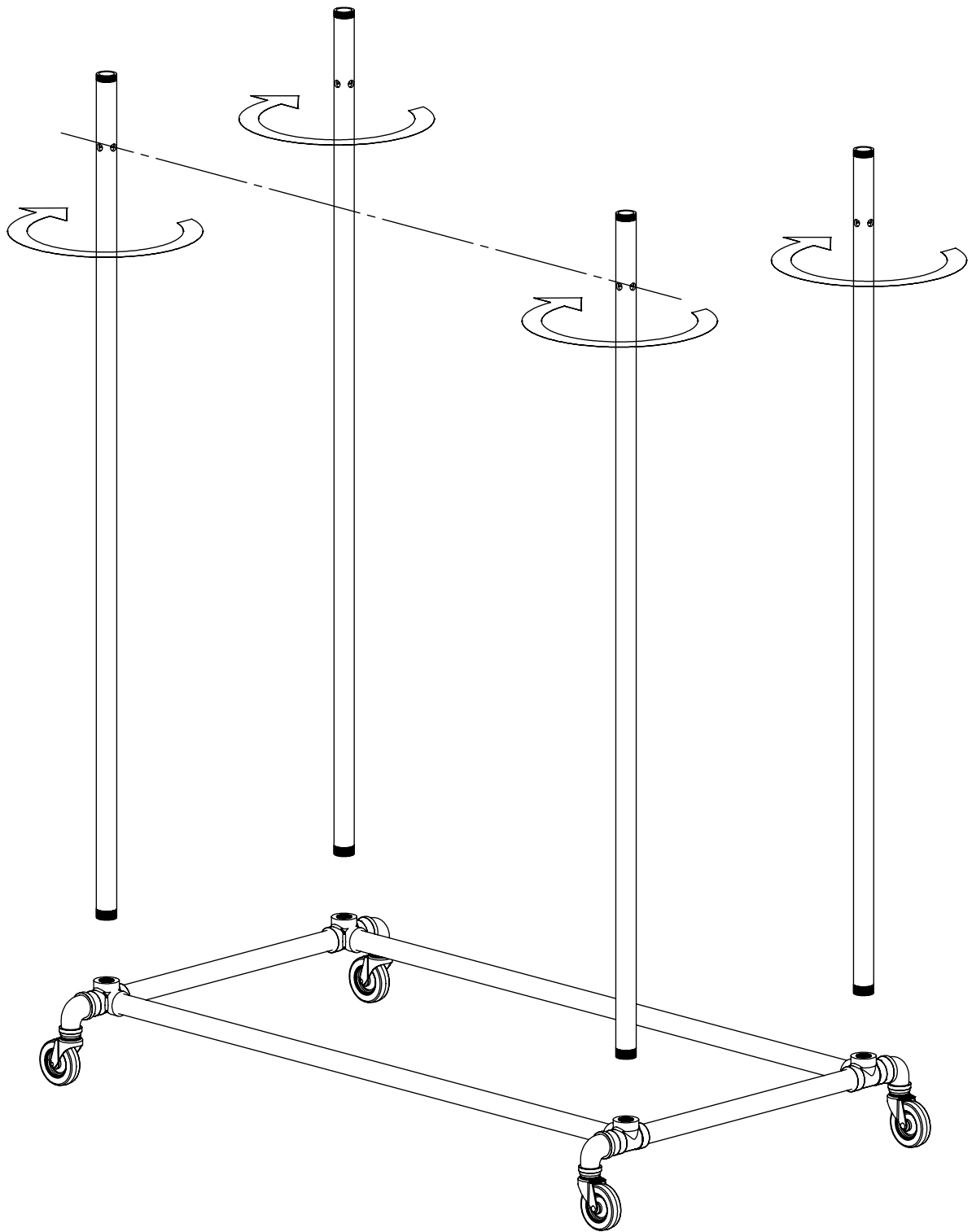
DOUBLE BALLET BAR

ITEM#:PSBB2TS



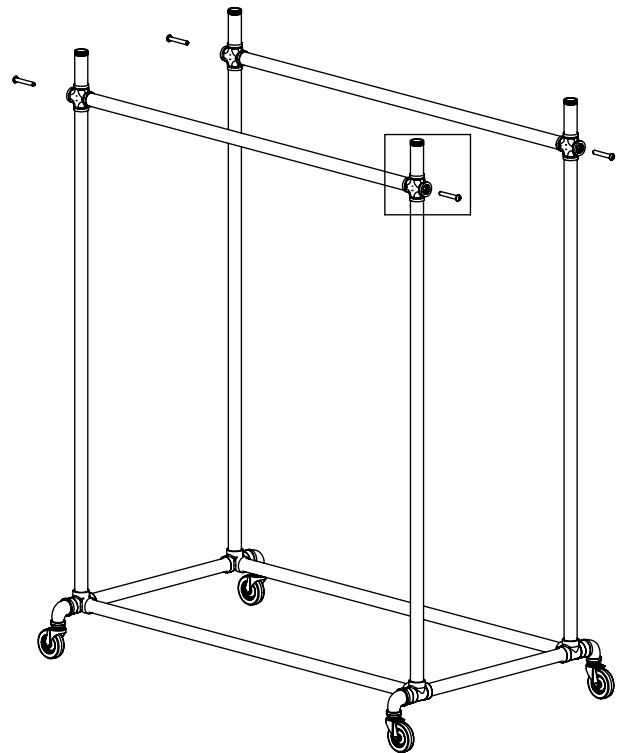
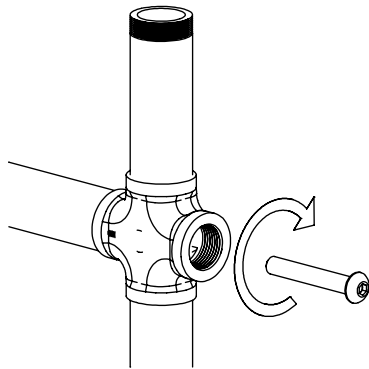
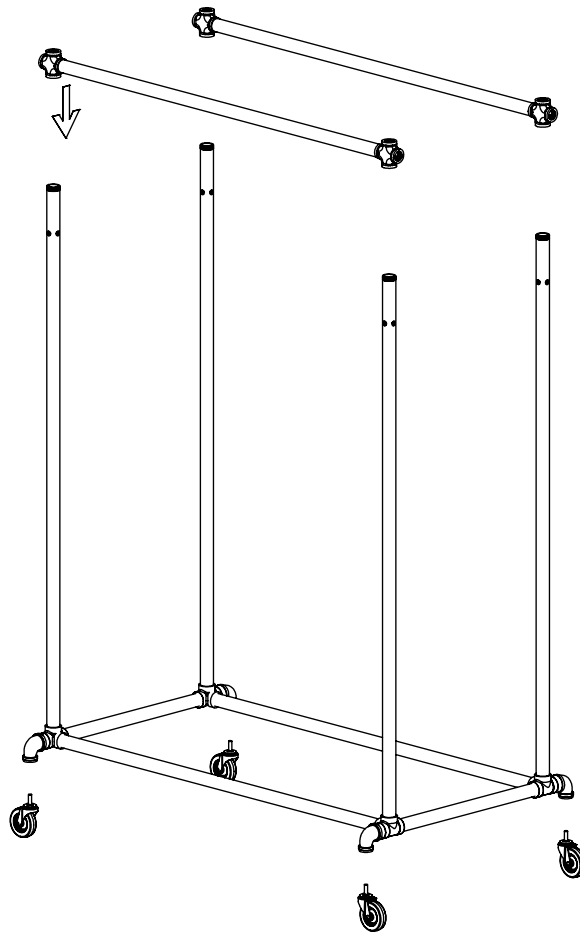


- 1 SCREW ALL FOUR CASTERS INTO CORNERS OF BASE USING PROVIDED WRENCH.
IF TWO LOCKING CASTERS WERE ORDERED, PLACE ON OPPOSITE CORNERS.
- 2 TURN BASE RIGHT SIDE UP.



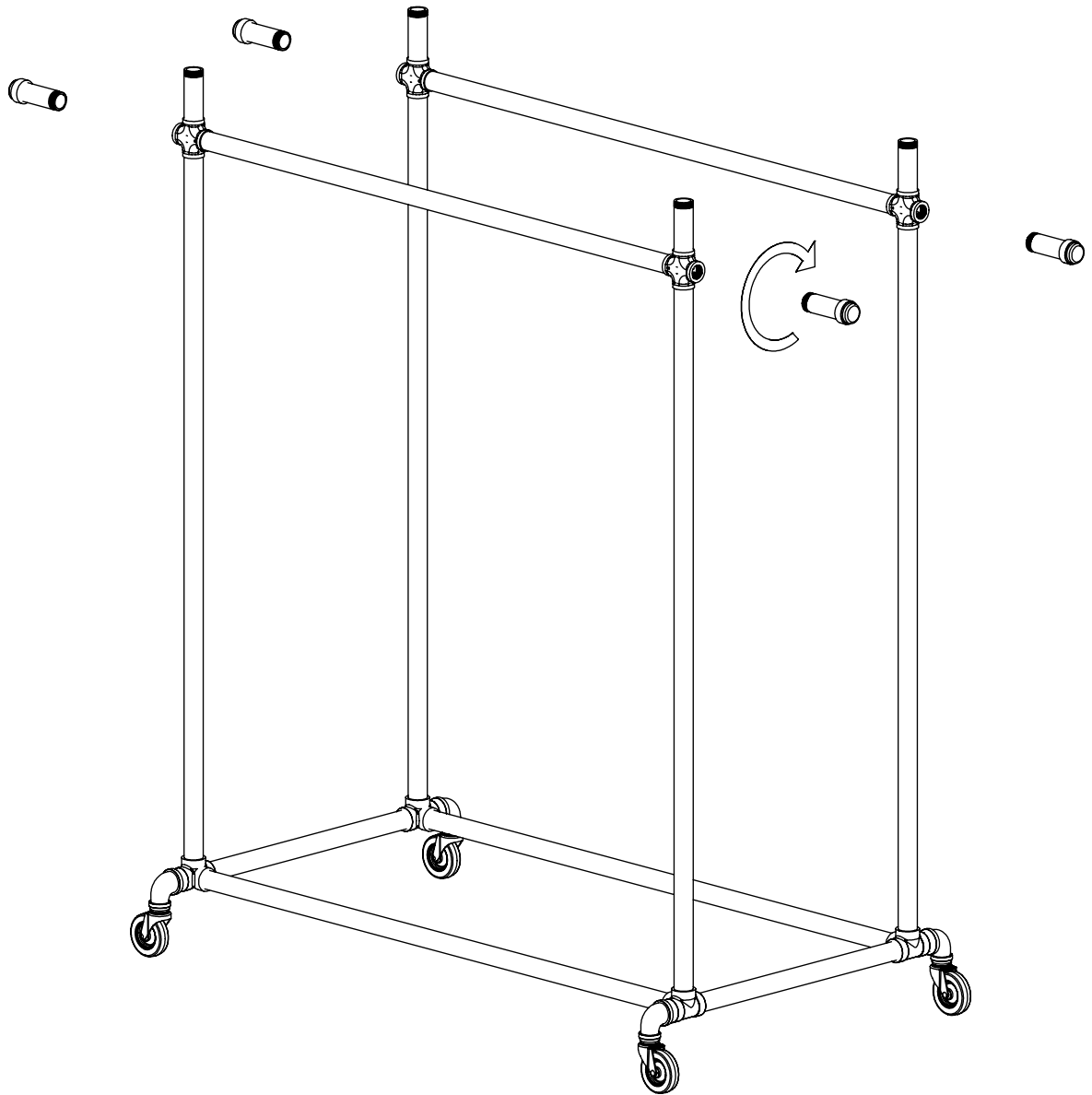
3

BY HAND, SCREW UPRIGHTS INTO THE BASE.
SCREW TO TIGHTEST POSITION WHERE HOLES FACE EACH OTHER
(REFER TO DOTTED LINES ABOVE).



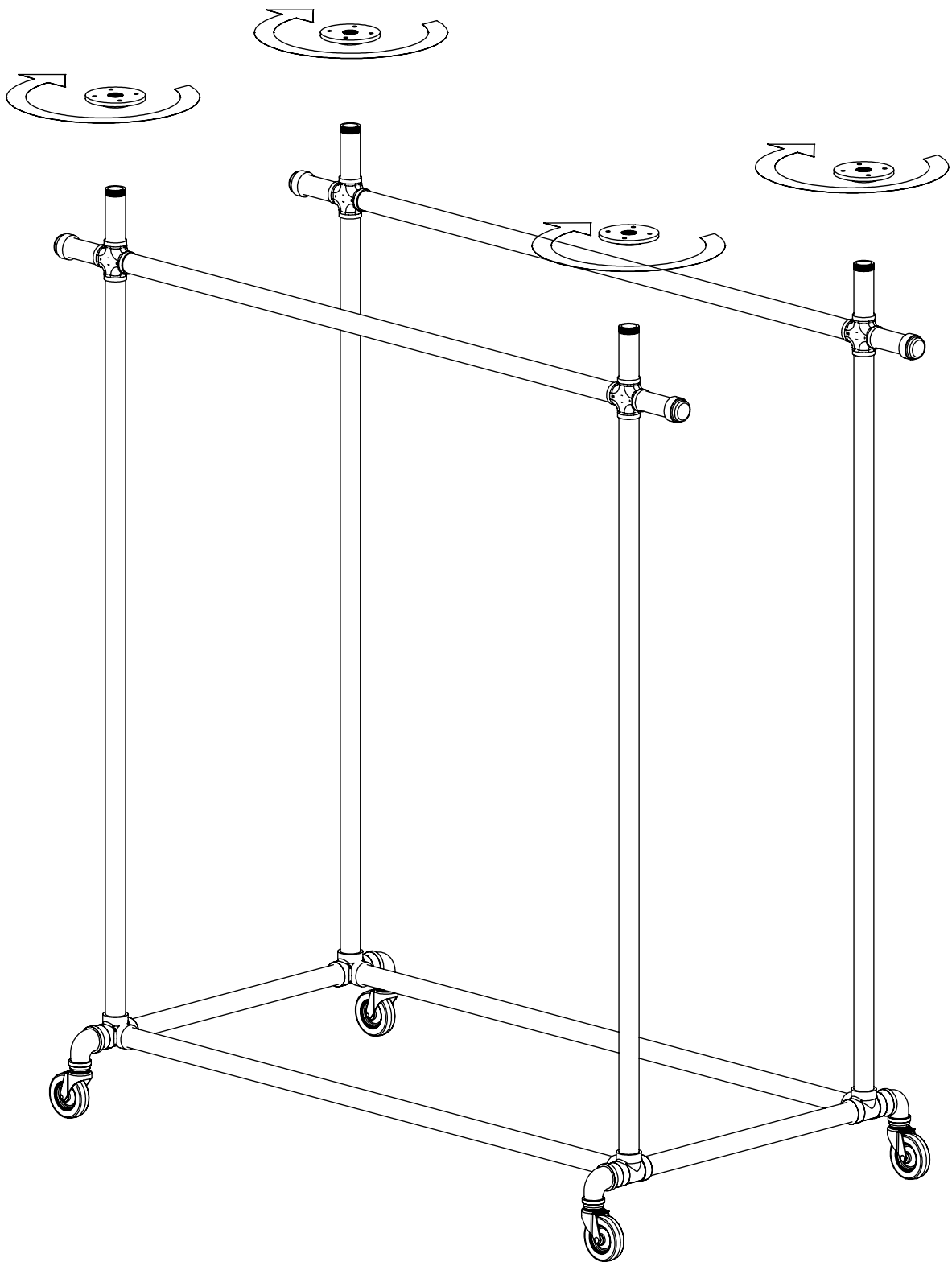
4

SLIDE THE HANGBAR DOWN AND ALIGN WITH THE UPRIGHT HOLES.
USE THE SOCKET HEAD SCREWS TO SECURE THE HANGBAR ON BOTH SIDES.
TWIST THE UPRIGHTS TO LINE UP THE HOLES AS NECESSARY.
REPEAT FOR THE SECOND HANGBAR.



5

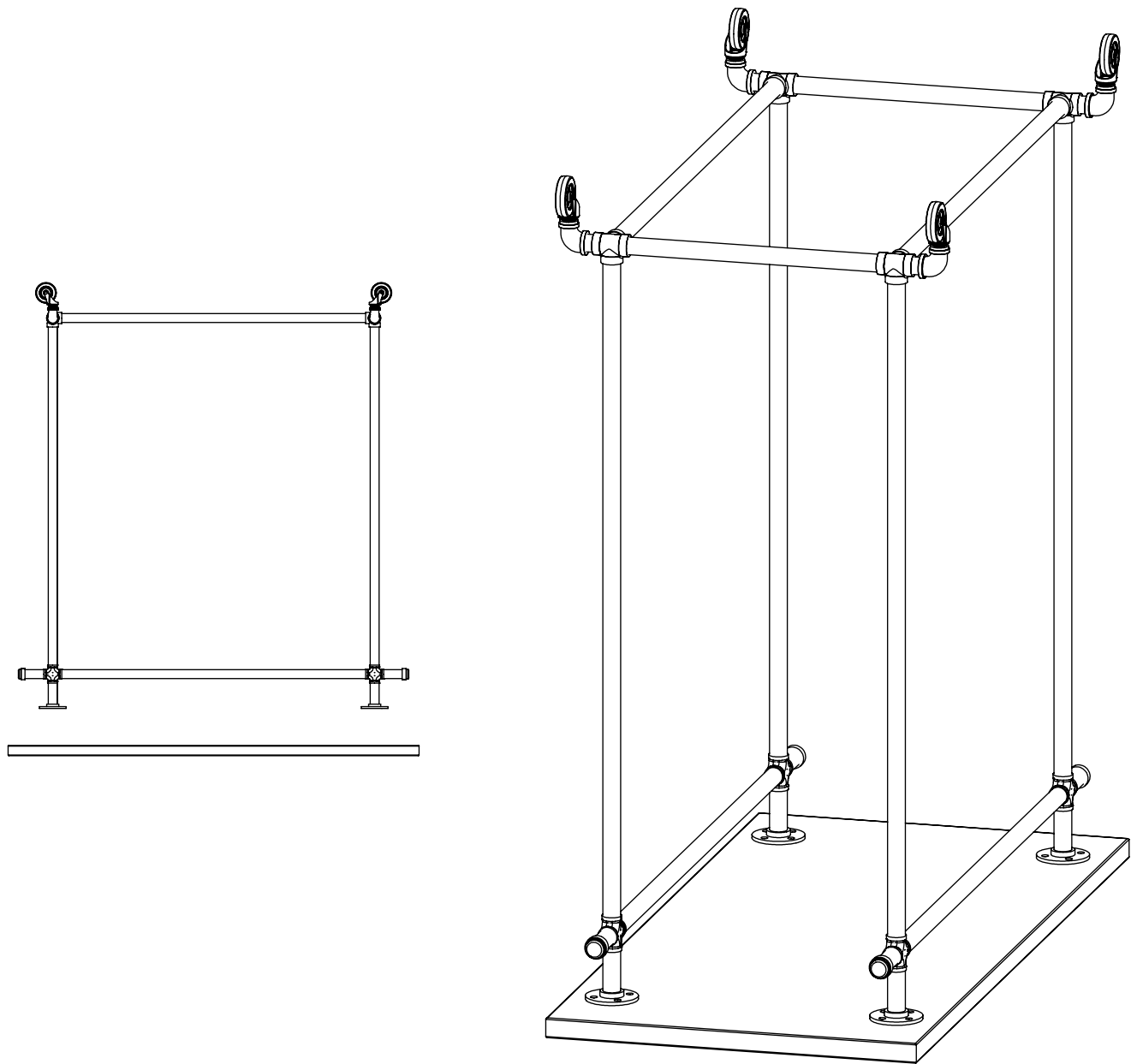
SCREW THE FACEOUTS INTO EACH END



6

BY HAND, SCREW ALL FOUR FLANGES ONTO TOP OF UPRIGHTS.
MAKE AS TIGHT AS POSSIBLE.

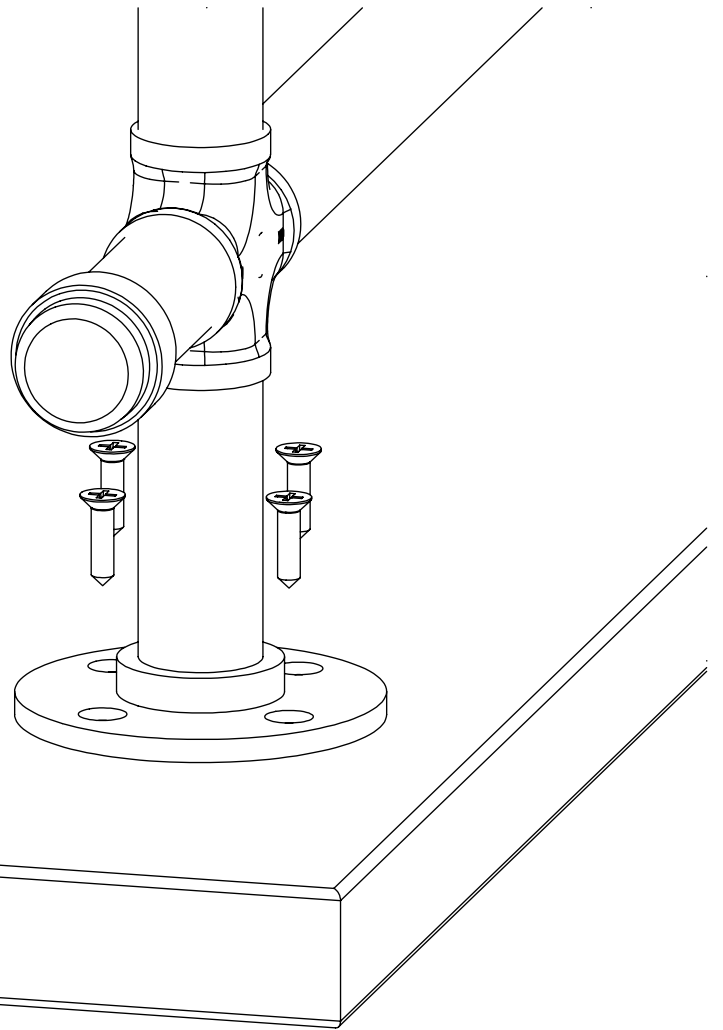
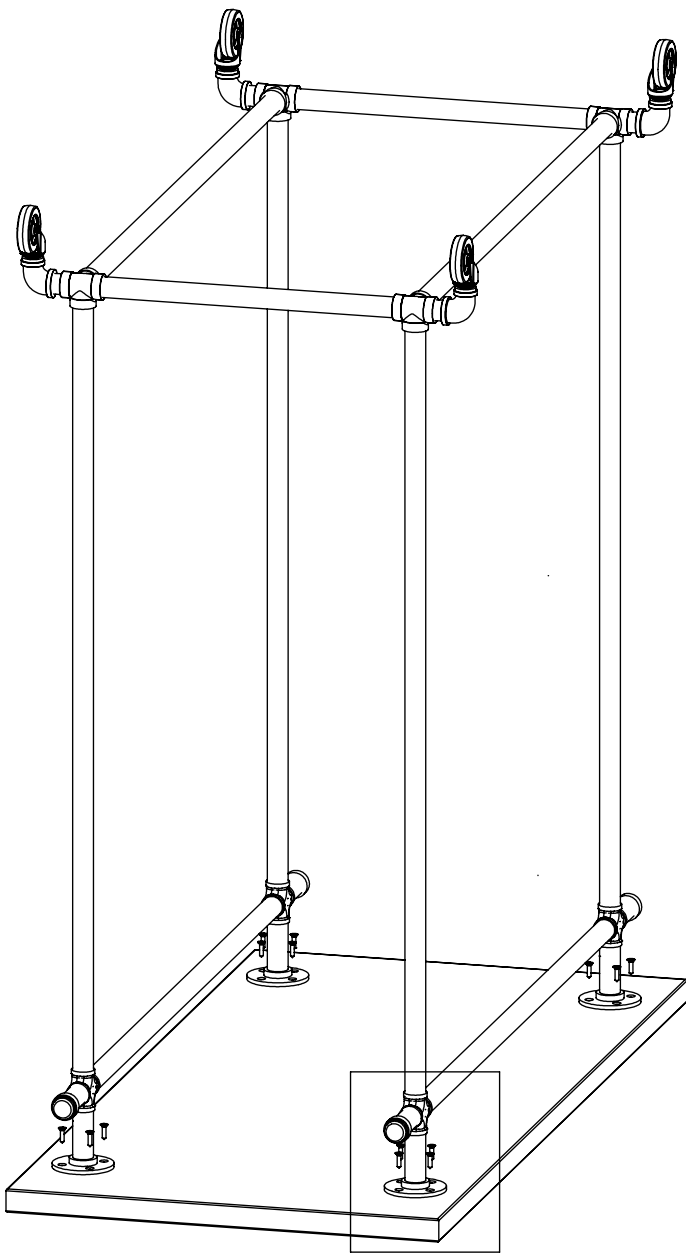
NOTE: INSTALLATION OF OPTIONAL SHELF TOP.



7

CAREFULLY TURN THE PIPE RACK UPSIDE DOWN. CENTER RACK ON BOTTOM PORTION OF WOOD. MEASURING TAPE IS RECOMMENDED.

**NOTE: INSTALLATION OF OPTIONAL
SHELF TOP.**



8

USING POWER DRILL, FASTEN WOOD SCREWS THROUGH FLANGES AND INTO WOOD. DRILL PILOT HOLES FOR SCREWS IF NECESSARY.

8A

CAREFULLY TURN UNIT RIGHT SIDE UP.