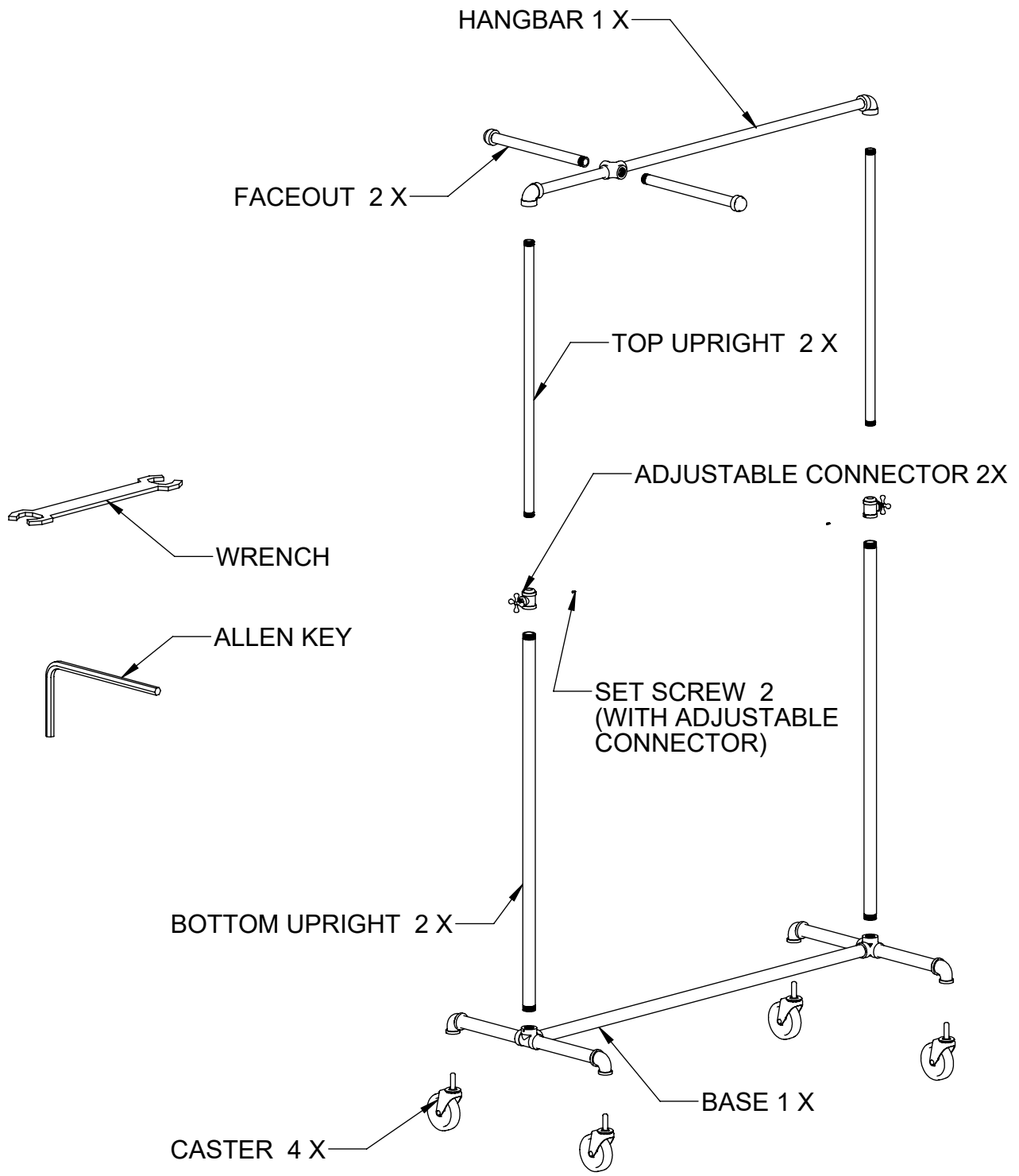
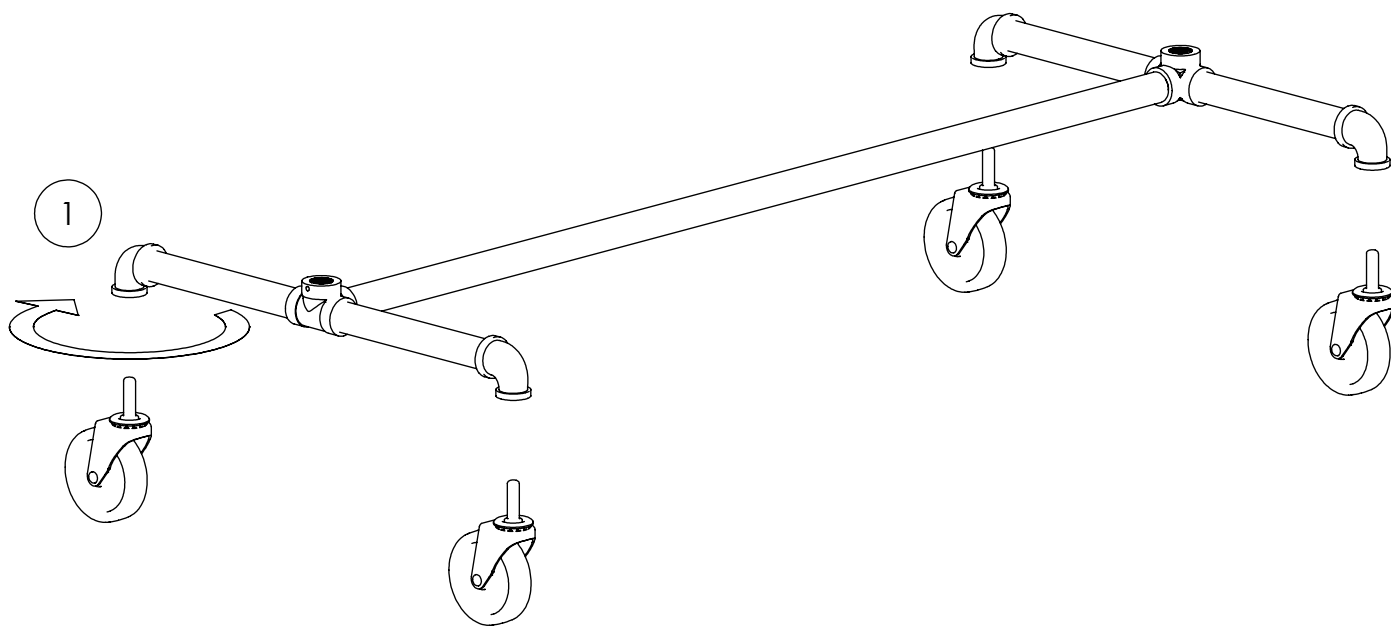


**ADJUSTABLE BALLET RACK WITH ONE CROSS ITEM#:PSBBCB1ADJ**

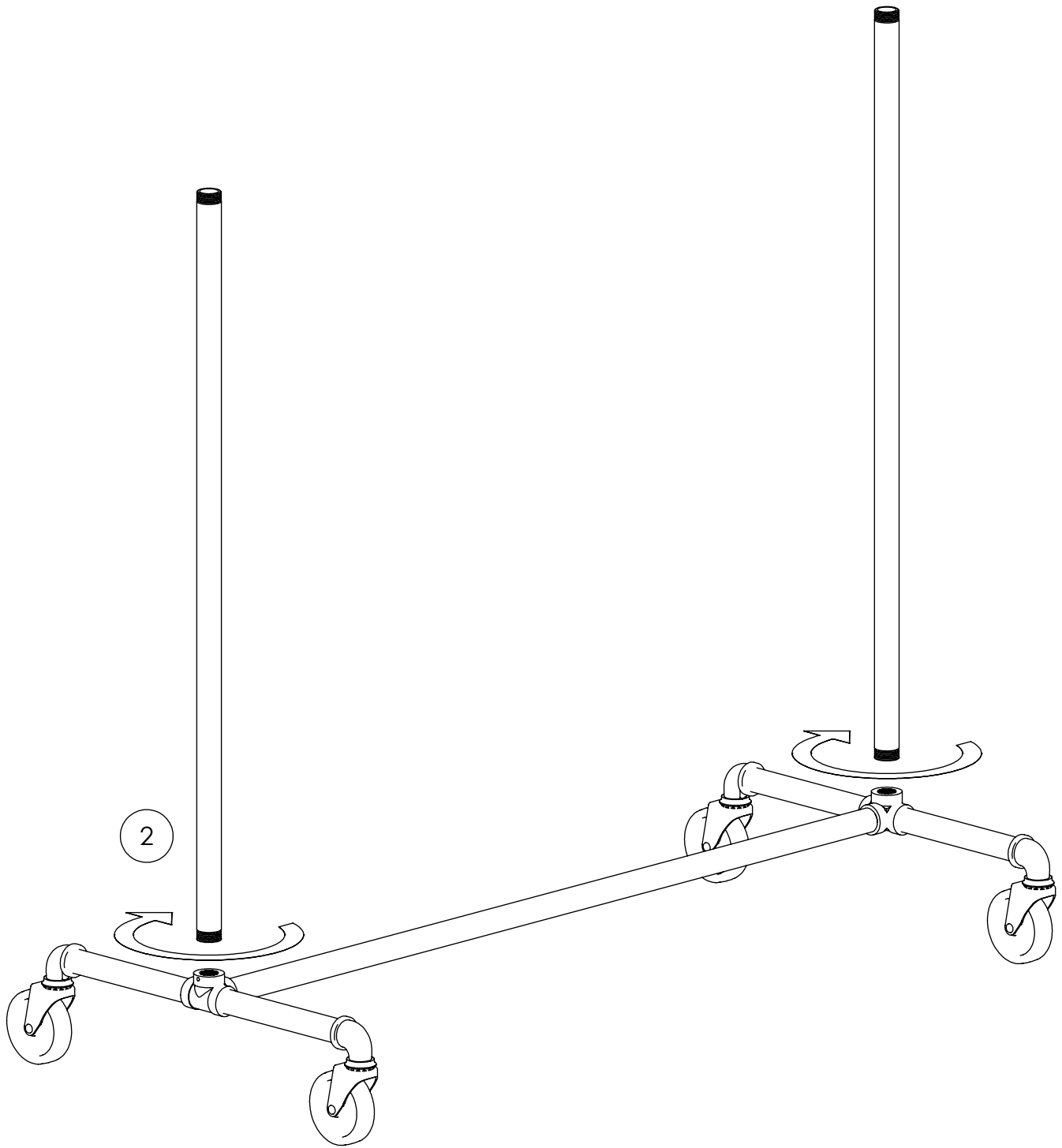


INCLUDED PARTS AND TOOLS



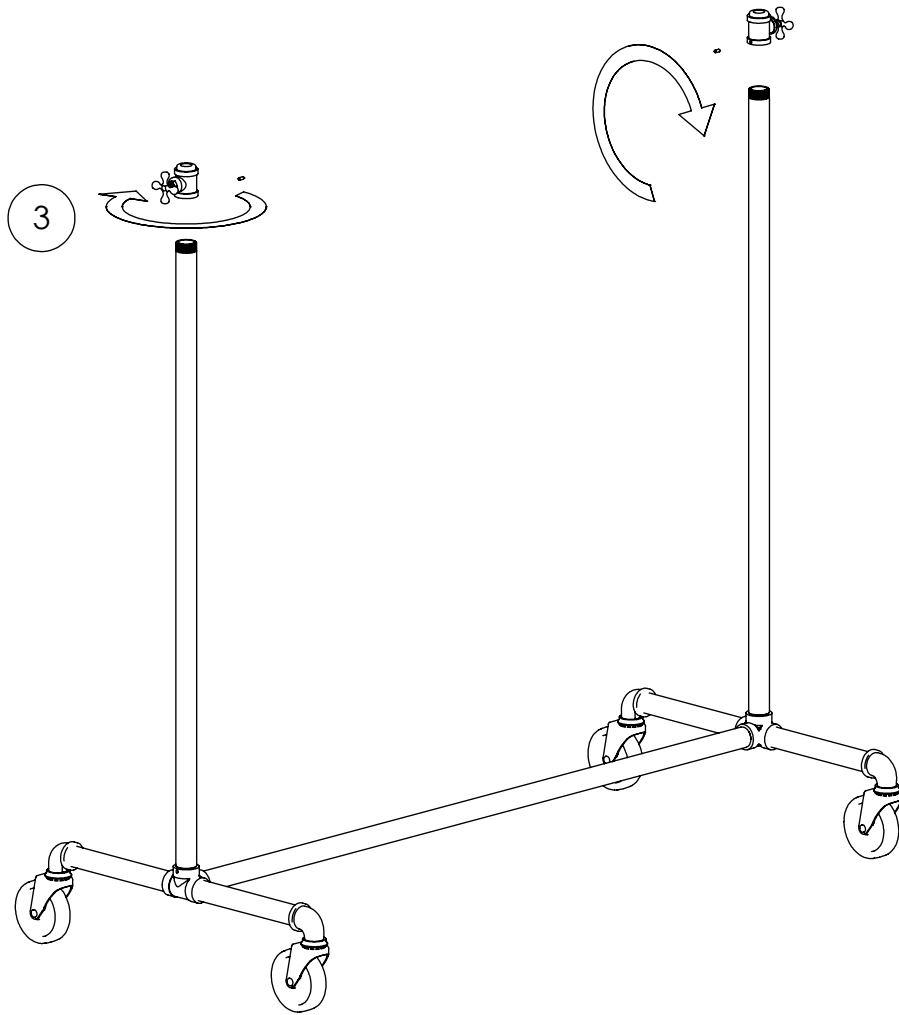
1

SCREW THE CASTERS INTO THE BASE AS SHOWN USING PROVIDED WRENCH

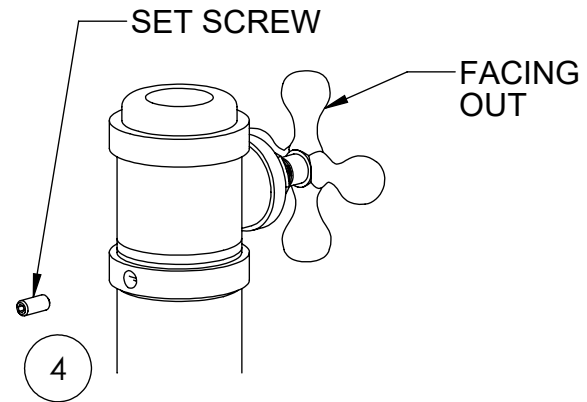
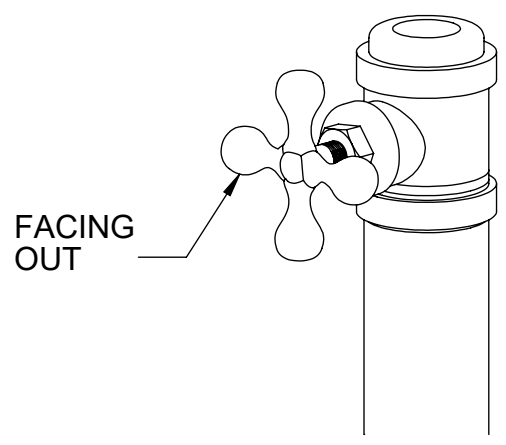


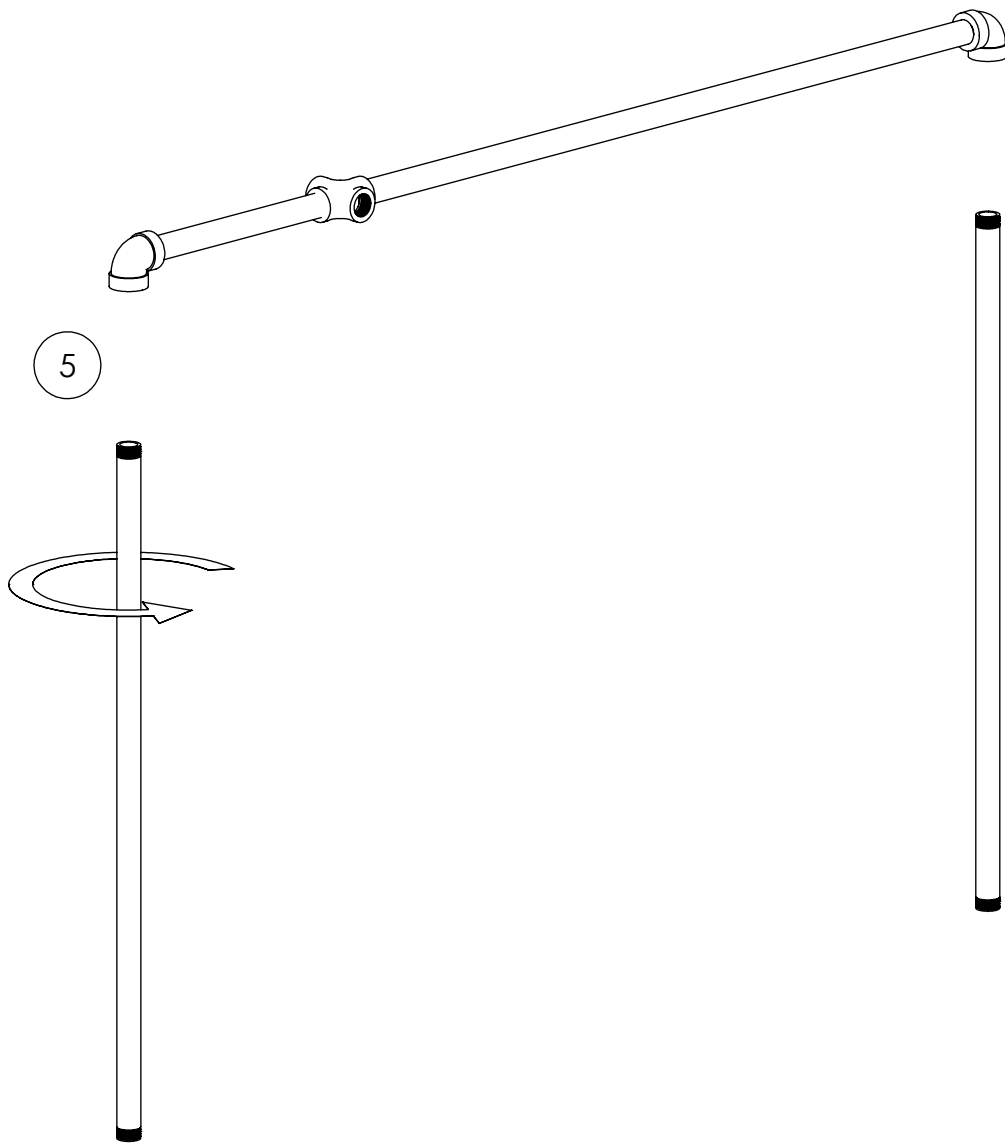
2

BY HAND, SCREW BOTTOM UPRIGHTS AS SHOWN

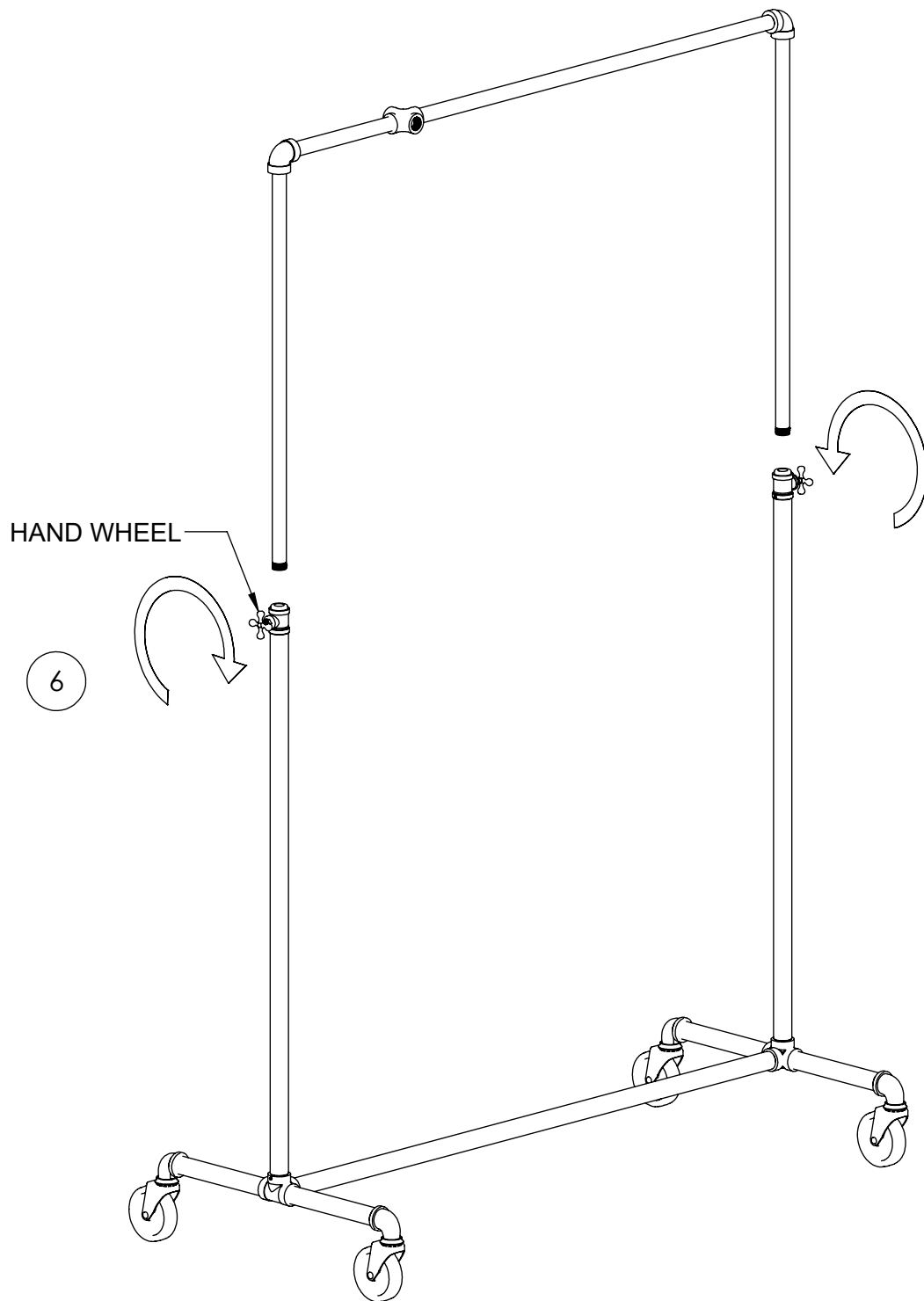


- 3 BY HAND, SCREW ADJUSTABLE CONNECTOR TO BOTTOM UPRIGHTS ALL THE WAY & THEN ADJUST SO THAT IT ALIGNS AS SHOWN BELOW
- 4 TIGHTEN SET SCREW USING HEX WRENCH TO LOCK ADJUSTABLE CONNECTOR IN PLACE.

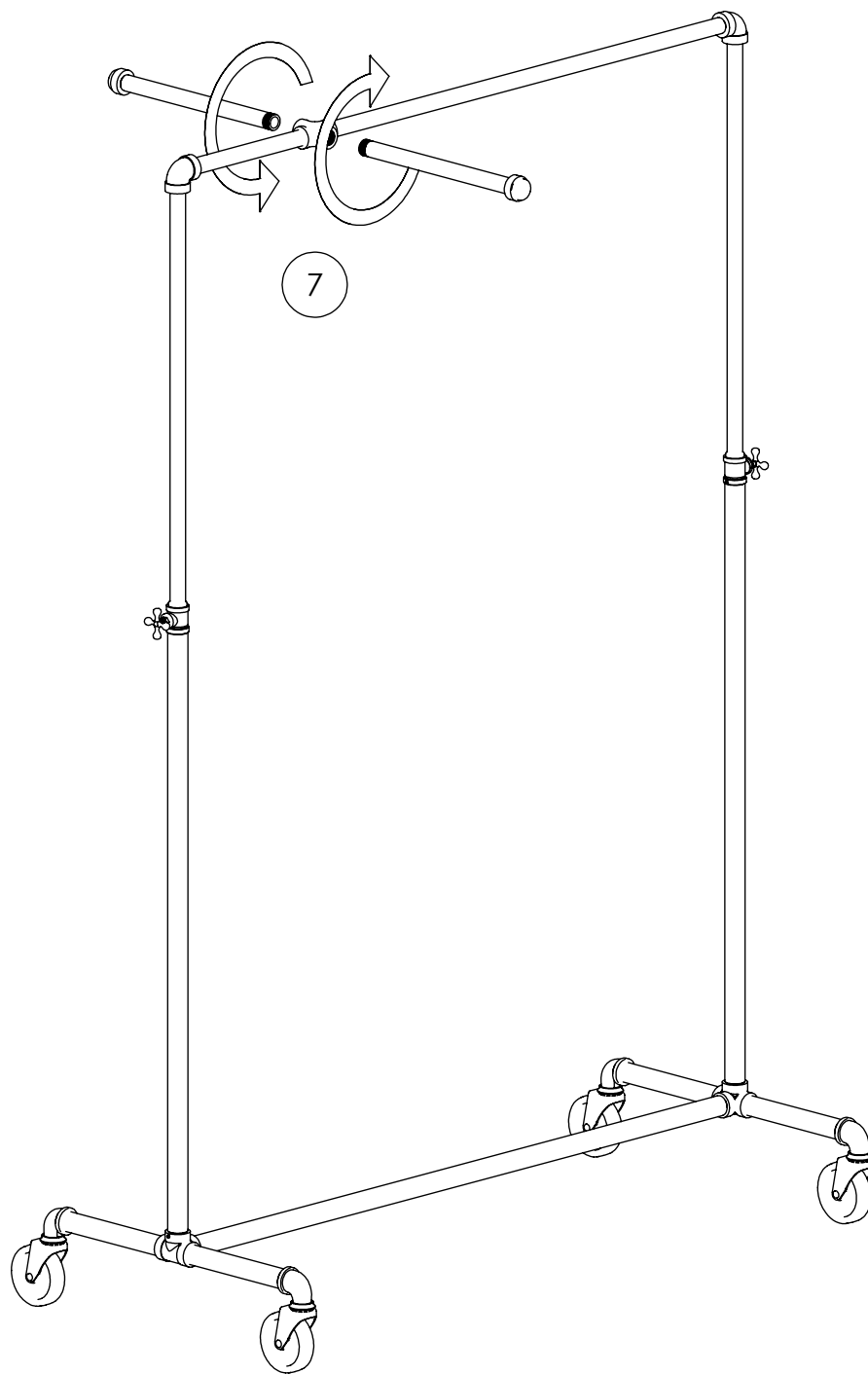




5 BY HAND, SCREW TOP UPRIGHT TO HANGBAR AS SHOWN



- 6 (UNTIGHTEN HAND WHEEL)  
DROP HANGBAR ASSEMBLY FROM STEP 7 AS SHOWN AT DESIRED HEIGHT  
& LOCK IN POSITION BY TIGHTENING THE HAND WHEEL.



7 BY HAND, SCREW IN FACEOUT TO HANGBAR