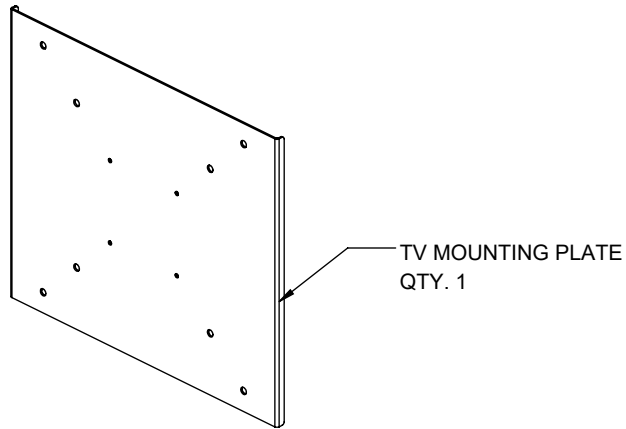
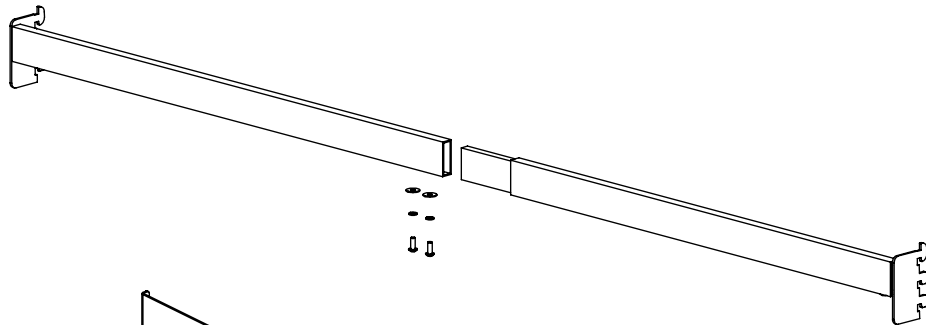
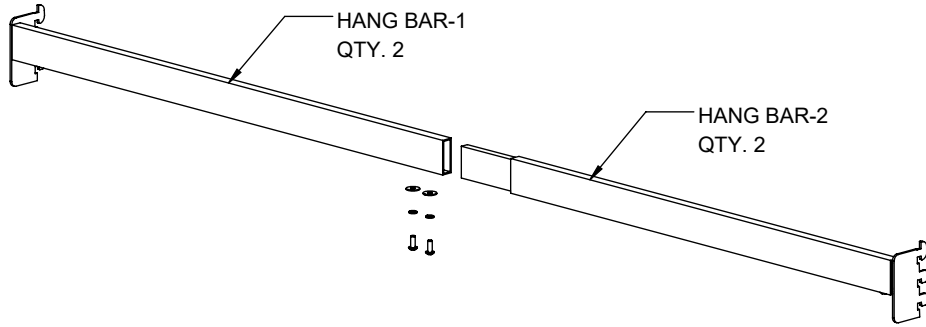
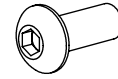


TV MOUNT FOR PIPE SYSTEM FOR 50" DISPLAY MAXIMUM

ITEM # PSFSTV-F



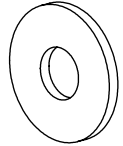
INCLUDED HARDWARE (FOR HANG BAR ASSEMBLY)



4X
SOCKET HEAD SCREW



4X
LOCK WASHER

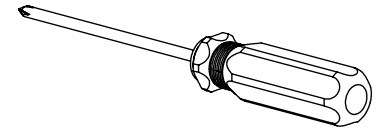


4X
WASHER

TOOLS REQUIRED



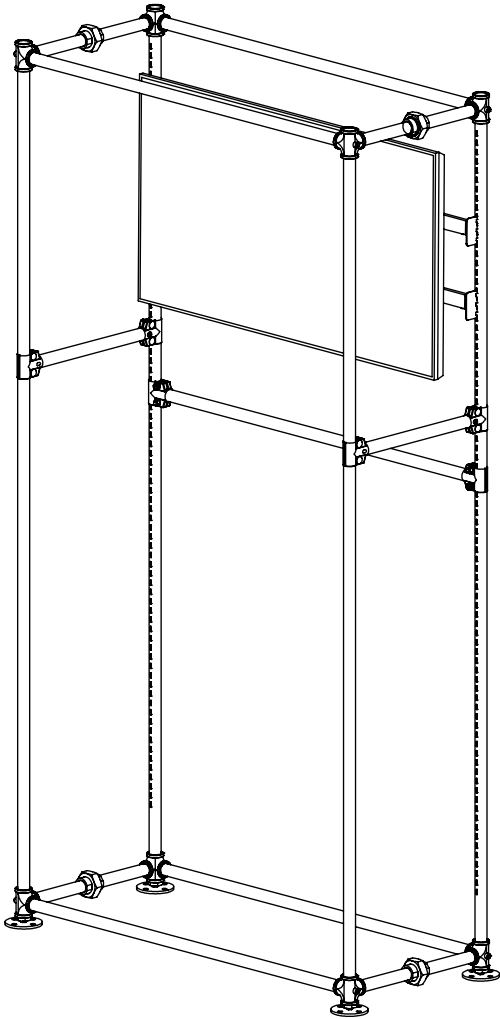
ALLEN KEY



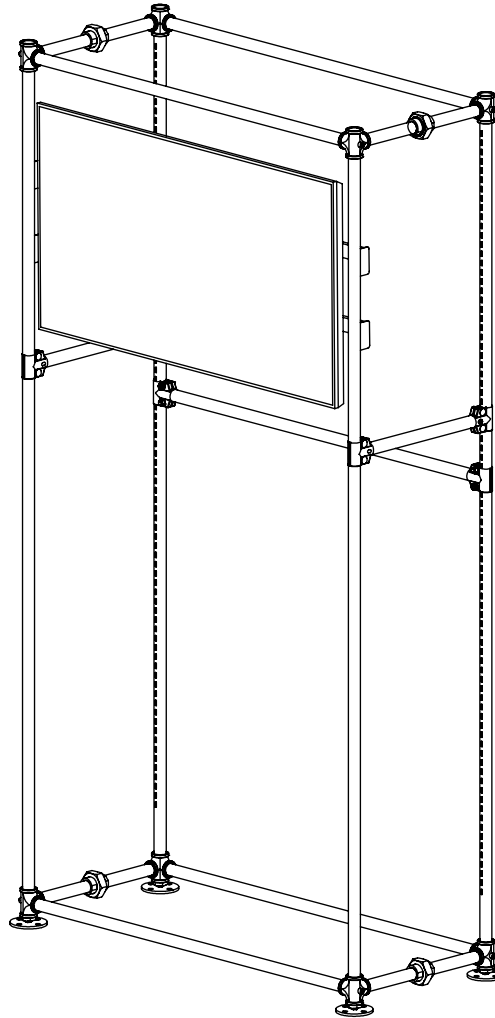
**PHILLIPS HEAD SCREW
DRIVER
(NOT INCLUDED)**

DETERMINE WHICH ASSEMBLY YOU REQUIRE

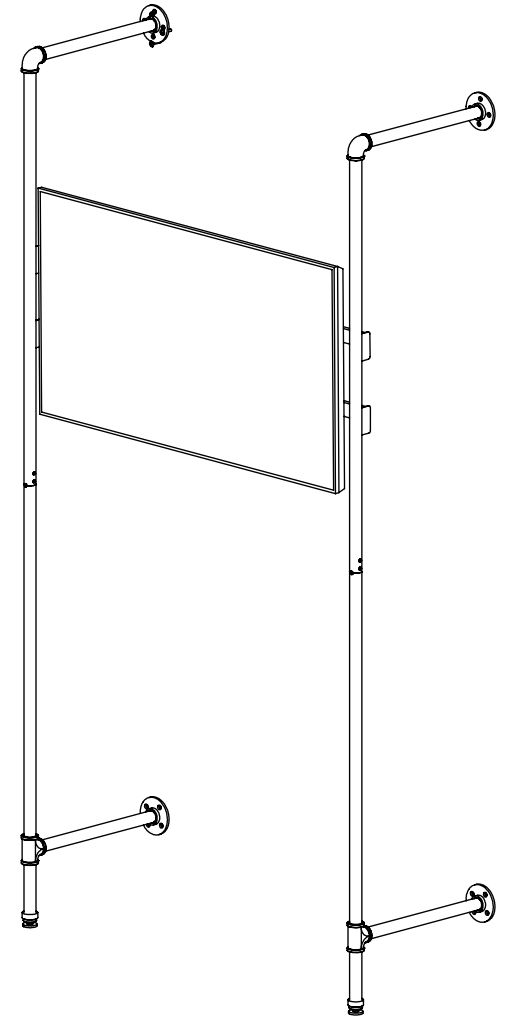
NOTE: MAX DISPLAY SIZE IS 50"



REAR MOUNT ON ON PSFS96



FRONT MOUNT ON ON PSFS96



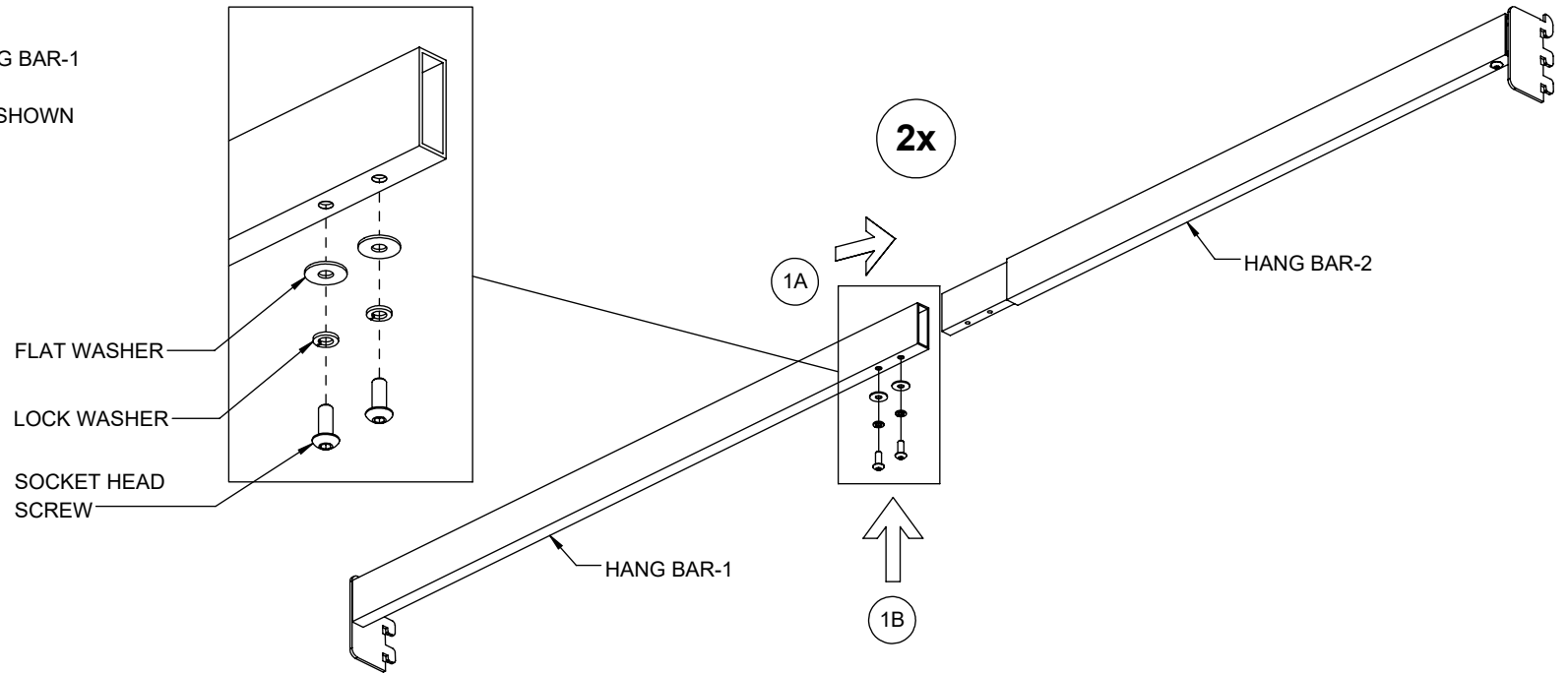
MOUNT ON PSOR

HANG BAR ASSEMBLY

1

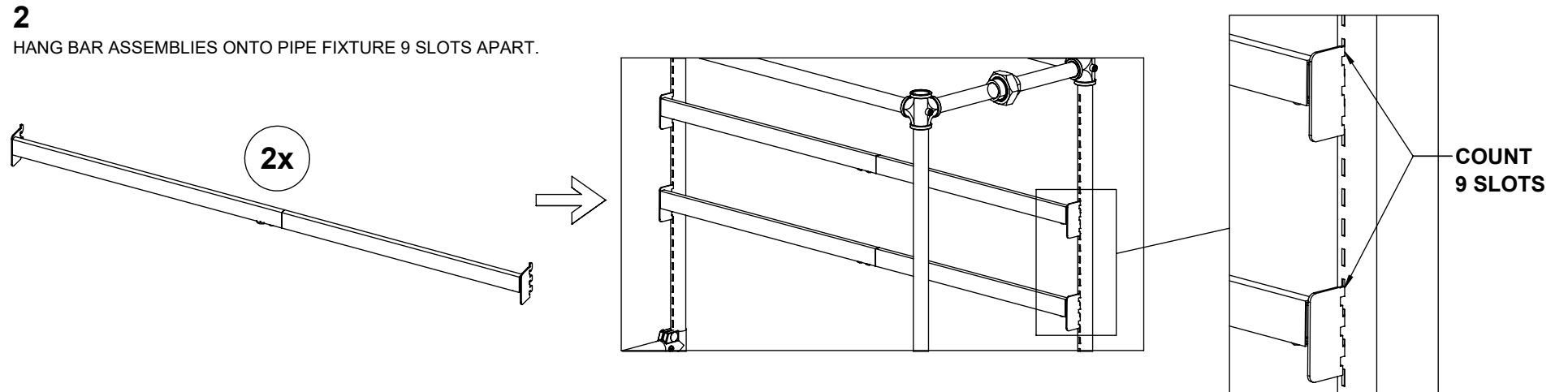
INSERT HANG BAR-2 INTO HANG BAR-1

SECURE WITH HARDWARE AS SHOWN



2

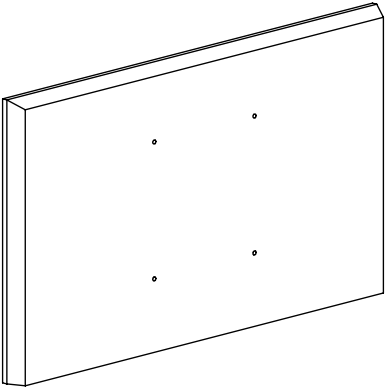
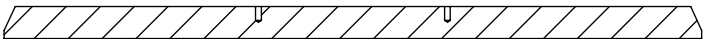
HANG BAR ASSEMBLIES ONTO PIPE FIXTURE 9 SLOTS APART.



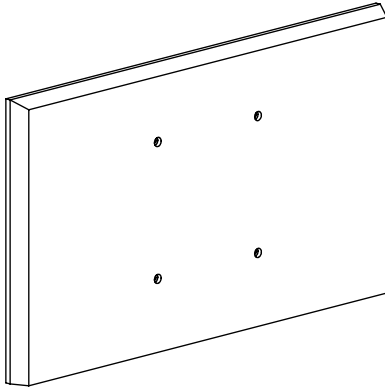
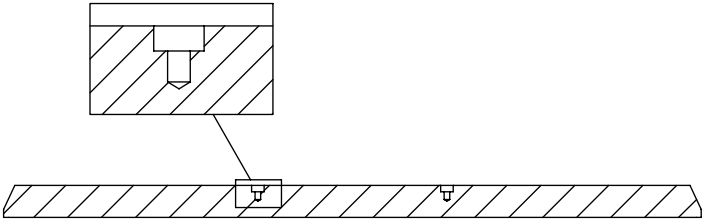
DETERMINE HARDWARE TO SECURE MOUNTING PLATE TO T.V.

1

IDENTIFY THE TYPE OF TV BACKING.

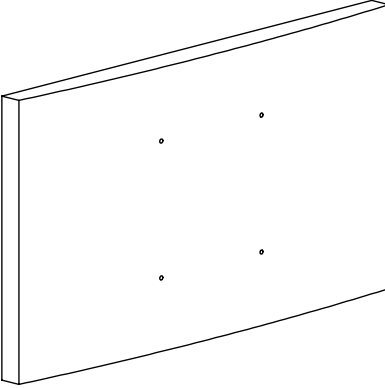
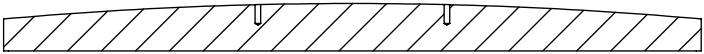


FLAT BACK



INSET HOLES

NOTE:
TV MOUNTING
PLATE FITS VESA
PATTERN SIZES:
100 X 100
200 X 200
300 X 300

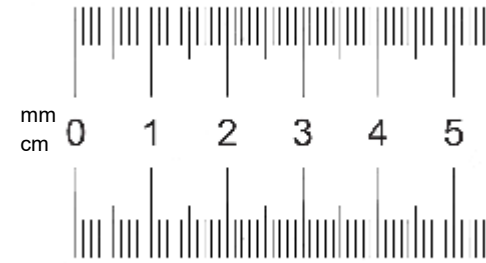


CURVED BACK

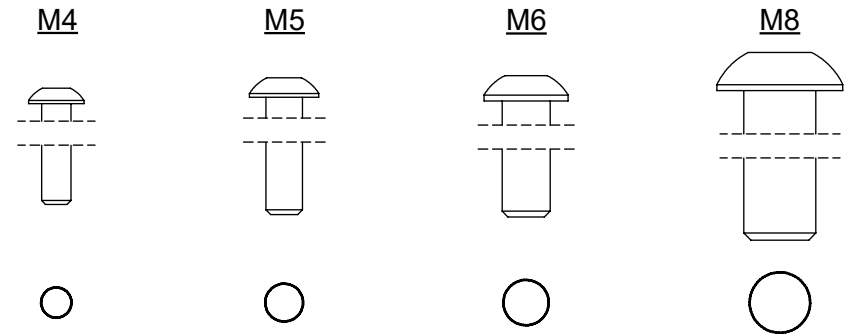
DETERMINE HARDWARE TO SECURE MOUNTING PLATE TO T.V.

2

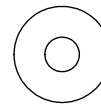
TEST HARDWARE SIZES AND LENGTHS FROM WHAT IS INCLUDED IN THIS KIT.



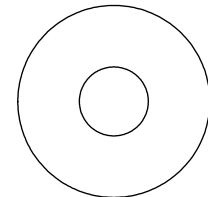
TV MOUNT HARDWARE	VESA PATTERN	QTY.
M4 X 12mm SCREW	100 x 100	4
M4 X 35mm SCREW	100 x 100	4
M5 x 12mm SCREW	200 x 200	4
M5 x 35mm SCREW	200 x 200	4
M4/M5 WASHER	100 x 100	4
M6 X 12MM SCREW	200 x 200	4
M6 x 35mm SCREW	200 x 200	4
M8 x 16mm SCREW	300 x 300	4
M8 x 20mm SCREW	300 x 300	4
M8 X 35mm SCREW	300 x 300	4
M6/8 WASHER	200 x 200/ 300 X 300	4
PLASTIC SPACER		4



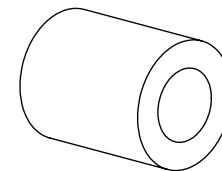
M4/M5 WASHER



M6/M8 WASHER



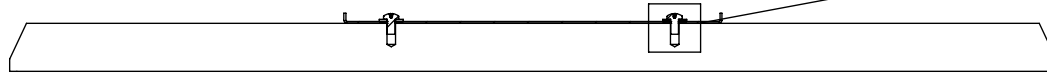
PLASTIC SPACER



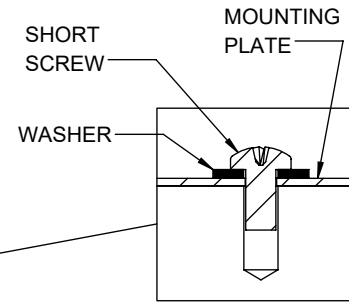
DETERMINE HARDWARE TO SECURE MOUNTING PLATE TO T.V.

3

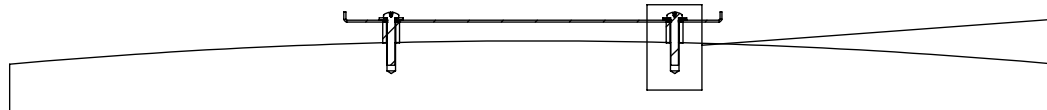
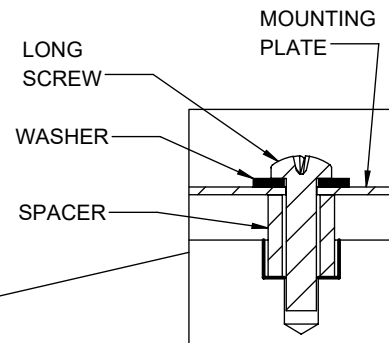
DETERMINE IF SPACERS ARE NEEDED



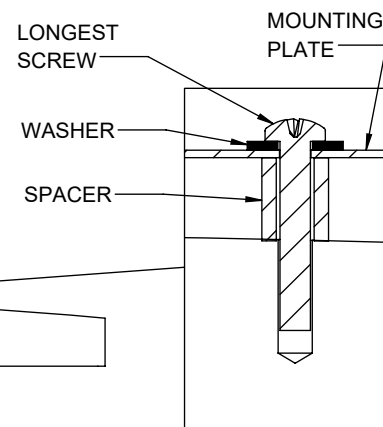
FLAT BACK TV: GO TO STEP 3A



INSET HOLES: GO TO STEP 3B



CURVED TV: GO TO STEP 3B



SELECT CORRECT SCREW SIZE FROM TV MOUNTING HARDWARE BAG. SELECT THE LONGEST SCREW LENGTH THAT WILL FIT AND TIGHTEN TV BRACKETS AGAINST TV.

IF SCREWS ARE TOO SHORT THEY WILL NOT THREAD INTO THE HOLES ON THE TV.

IF SCREWS ARE TOO LONG, TV BRACKETS WILL NOT TIGHTEN AGAINST TV.

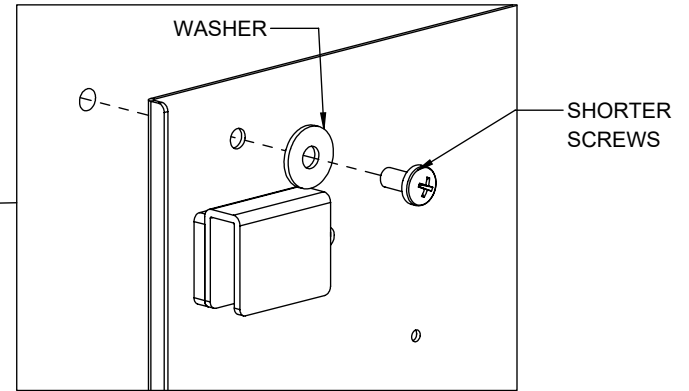
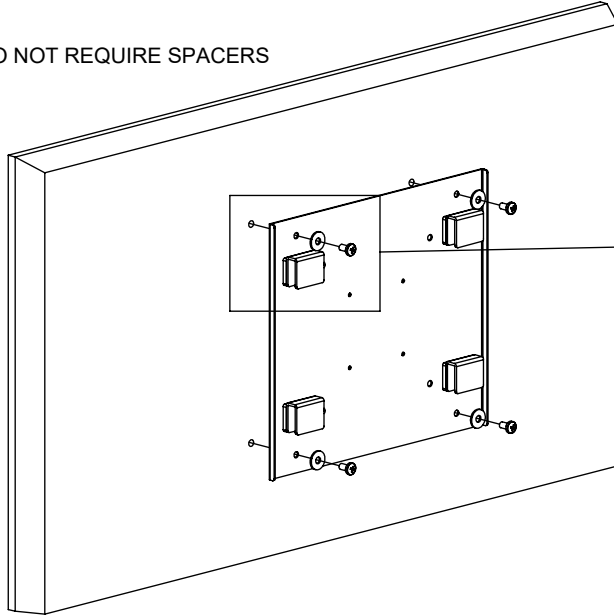
IT IS POSSIBLE THAT NO COMBINATIONS OF THE PROVIDED HARDWARE WORK FOR YOUR TV BRAND.

IF THIS IS THE CASE, PLEASE CONTACT THE MANUFACTURER OF THIS MOUNTING KIT FOR ASSISTANCE.

SECURE MOUNTING PLATE TO T.V.

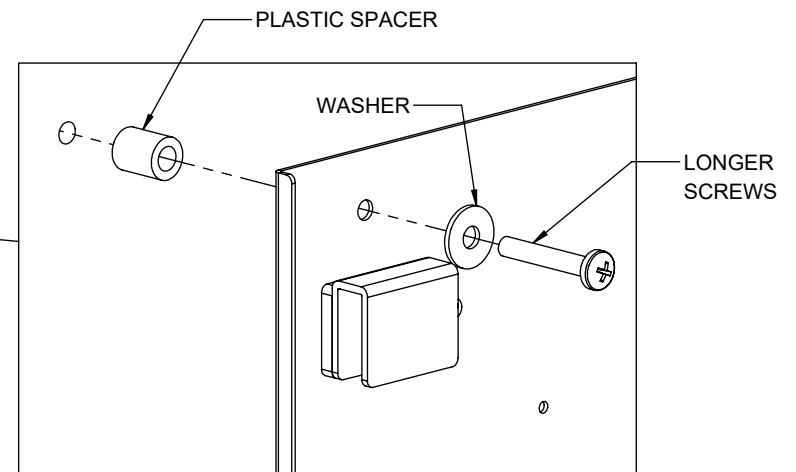
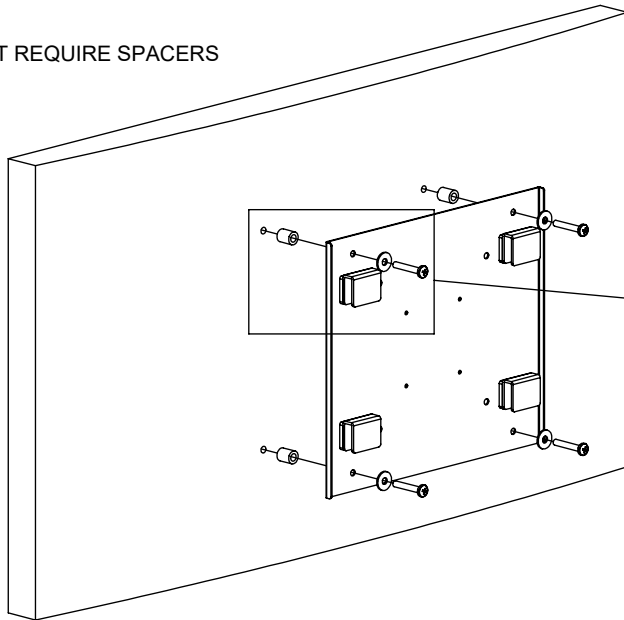
1

FOR TV's THAT DO NOT REQUIRE SPACERS



2

FOR TV's THAT REQUIRE SPACERS



HANG T.V. ON HANG BARS

